

2010 Critical Care Bed

OPERATIONS MANUAL

**For Parts or Technical Assistance
1-800-327-0770**

Table of Contents

| | |
|---|-------|
| Introduction | 2 |
| Specifications | 2 |
| Warning / Caution / Note Definition | 2 |
| Set Up Procedures | 3 |
| Operation Guide | 4 |
| Operating Directional Steering Caster | 5 |
| Operating Optional Oxygen Bottle Holder | 5 |
| Trendelenberg/Fowler Display Option | 6 |
| Operating the Emergency Drop Fowler | 6 |
| Operating Optional Permanently Attached I.V. Pole | 7 |
| Using the Equipment Tray Options | 7 |
| Using the Optional X-Ray Cassette Holder | 8 |
| Weigh System Control Panel Guide | 9,10 |
| Weigh System Usage | 11,12 |
| Warranty | |
| Obtaining Parts and Service | 13 |
| Supplemental Warranty Coverage | 13 |
| Return Authorization | 14 |
| Freight Damage Claims | 14 |

Introduction

INTRODUCTION

This manual is designed to assist you with the operation and maintenance of the 2010 Stryker Manual Critical Care Bed. Read it thoroughly before using the equipment or beginning any maintenance on it.

SPECIFICATIONS

| | |
|--|----------------------------------|
| Maximum Weight Capacity | 500 pounds |
| Overall Bed Length/Width | 90"/38" |
| Minimum/Maximum Bed Height | 22.5"/35" |
| Knee Gatch Angle | 0 degrees to 35 degrees |
| Fowler Angle | 0 to 90 degrees |
| Trendelenberg/Reverse Trendelenberg | -12 degrees to +12 degrees |
| Weigh System Accuracy (optional equipment) | + / - 1% of total patient weight |

WARNING / CAUTION / NOTE DEFINITION

The words WARNING, CAUTION and NOTE carry special meanings and should be carefully reviewed.

WARNING

The personal safety of the patient or user may be involved. Disregarding this information could result in injury to the patient or user.

CAUTION

These instructions point out special procedures or precautions that must be followed to avoid damaging the equipment.

NOTE

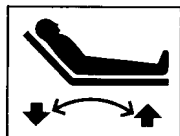
This provides special information to make maintenance easier or important instructions clearer.

SET UP PROCEDURES

It is important that the 2010 Stryker Manual Critical Care Bed is working properly before it is put into service. The following list will help test the bed.

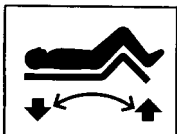
- Depress the curved pedal to set the four wheel brakes and assure all four wheels lock. Lift the pedal to the neutral position to release the brakes.
- Lift the pedal and assure the steering caster locks at the foot end of the bed (on the patient's right side only).
- Reset the brakes and raise the bed to the full up position by pumping the pedal marked with the "bed up" symbol and assure the litter raises evenly.
- Lower the bed to the full down position by depressing both pedals marked with the Trendelenberg symbols. Assure the litter descends at a rate which results in the foot end reaching the full down position slightly before the head end.
- Raise the bed to the full up position and depress the pedal marked with the Trendelenberg symbol (head down). Assure the head end lowers to the full down position.
- Raise the bed to the full up position and depress the pedal marked with the reverse Trendelenberg symbol (foot down). Assure the foot end lowers to the full down position.
- Raise the bed to the full up position. Pivot the Fowler crank up into position. Turn the crank clockwise to raise the Fowler. Assure it will raise to the full up position. Turn the crank counterclockwise to lower the Fowler. Assure it will lower to the full down position.
- Pivot the Fowler crank and push it in to engage. Turn the crank clockwise to raise the Fowler. Assure the Emergency Drop Fowler is operating properly (page 6).
- Pivot the Knee Gatch crank up into position. Turn the crank clockwise to raise the Knee Gatch. Assure it will raise to the full up position. Turn the crank counterclockwise to lower the Knee Gatch. Assure it will lower to the full down position.
- Assure the siderails lock in both positions (up and intermediate).
- Assure the weigh system and charger are operating properly (page 9 –12)

Operation Guide



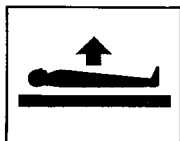
Fowler Crank

Turn crank clockwise to raise Fowler.
Turn crank counterclockwise to lower Fowler.



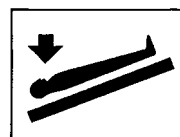
Gatch Crank

Turn crank clockwise to raise Knee Gatch.
Turn crank counterclockwise to lower Knee Gatch.



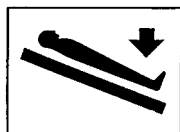
Lift Pedal

Pump pedal to raise litter.



Trendelenberg Pedal

Depress pedal to lower head end.
Note: Depress both Trendelenberg pedals at the same time to lower litter.



Reverse Trendelenberg Pedal

Depress pedal to lower foot end.
Note: Depress both Trendelenberg pedals at the same time to lower litter.

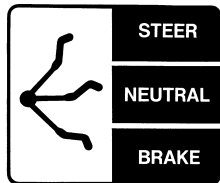


Brake/Steer Pedal

Depress pedal fully to set four wheel brakes.
Lift pedal fully to engage steer caster.

OPERATING DIRECTIONAL STEERING CASTER

When transporting a patient, the steer caster helps to maintain the bed's path along a straight line and aids pivoting at corners.



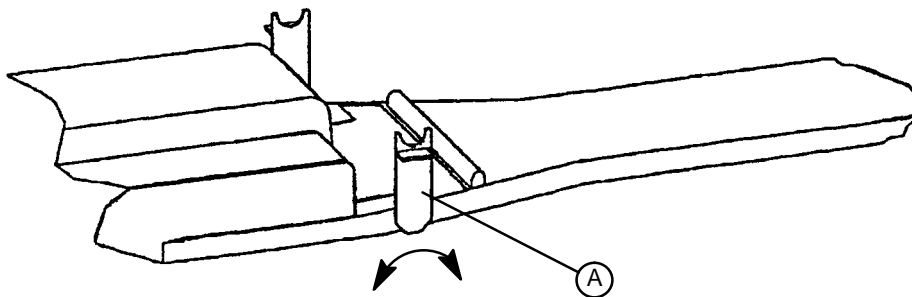
Brake/Steer Pedal

Depress pedal fully to set four wheel brakes.

Lift pedal fully to engage steer caster.

For proper "tracking" of the steer caster, push the bed approximately 10 feet to allow the wheels to face the direction of travel before engaging the steer pedal. Without doing this, proper "tracking" will not occur and it will be difficult to steer the bed.

OPERATING OPTIONAL OXYGEN BOTTLE HOLDER



1. To use oxygen bottle holder, rotate (A) upward until it stops in an upright position, as shown.
2. To store, when not in use, rotate (A) downward until it stops (flat position).

Operation Guide

TRENDELENBERG/FOWLER DISPLAY OPTION

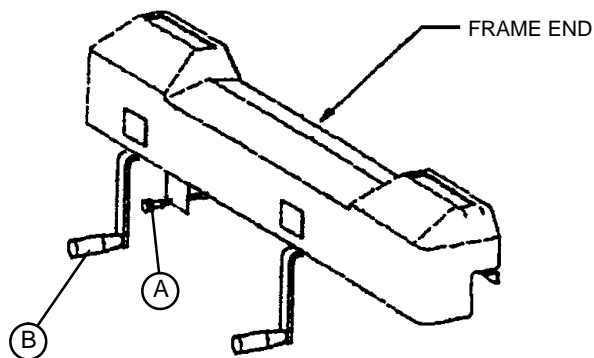
The Trend/Fowler display option indicator lights are powered by 3 "D" size (1.5 V each) alkaline batteries. The batteries are located under the foot end frame end. To replace the batteries, remove the two screws on the frame end bumper and lift off the plastic frame end. Disconnect the power cable and replace the batteries.

NOTE

Polarity of battery placement is marked on the battery holder.

The batteries will need to be replaced when the Trend/Fowler indicator lights appear dim.

OPERATING THE EMERGENCY DROP FOWLER



The Emergency Drop Fowler Release is located at the foot of the bed to the right of the Fowler crank. To lower the Fowler quickly in an emergency:

- Press the button on the knob (A) and pull the knob out until it stops.
- The Fowler will lower until it is flat.

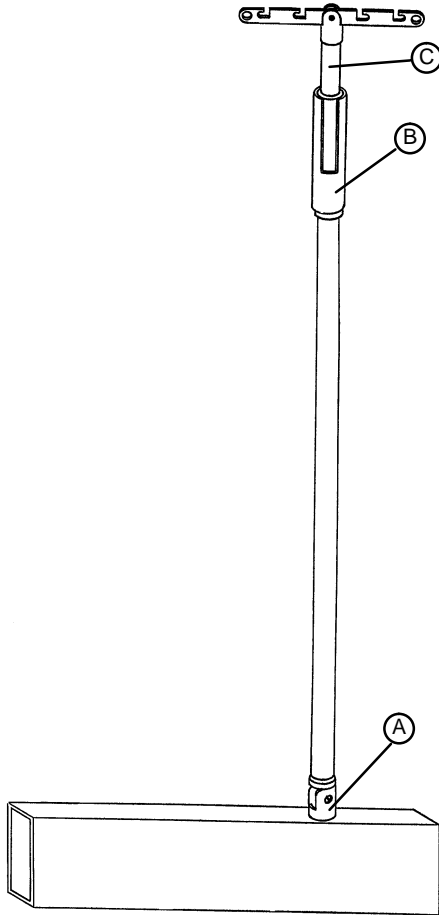
Resetting the Fowler:

- Turn the Fowler crank (B) clockwise until it stops.
- Push the button on the knob and push the knob in until it stops.

NOTE

The Fowler must be reset before it will raise again.

OPERATING OPTIONAL PERMANENTLY ATTACHED I.V. POLE



NOTE

An optional permanently attached I.V. Pole may have been installed at either the head, foot or both ends of the stretcher. The choice was made at the time the stretcher was purchased.

To Use the I.V. Pole:

1. Lift the I.V. pole from the I.V. rest and hinge downward into receptacle (A).
2. To increase the height of the pole, turn the lock actuator (B) counterclockwise and pull up on the telescoping portion (C). Raise the pole to the desired height.
3. Turn the lock actuator (B) clockwise to lock the telescoping portion in place.

CAUTION

The weight of the I.V. bags should not exceed 40 pounds.

USING THE EQUIPMENT TRAY OPTIONS

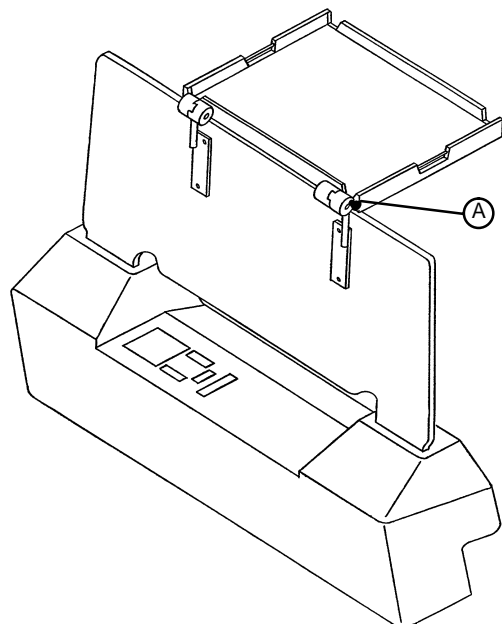
CAUTION

Both the equipment (defibrillator) tray and the equipment tray/footboard combination options have a 40 lb. limit.

To use the equipment tray/footboard combination option, mount as shown in the illustration. The tray can be pivoted out of the way when not in use by pulling knob (A) and rotating tray to stored position.

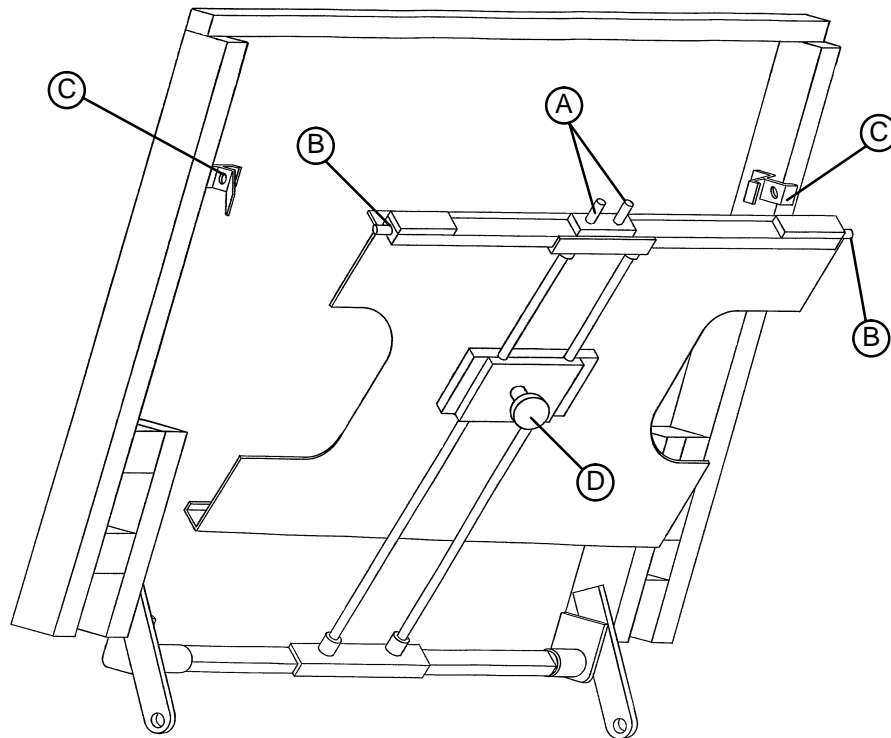
NOTE

The equipment (defibrillator) tray and the equipment tray/footboard combination are interchangeable between beds.



Operation Guide

USING THE OPTIONAL X-RAY CASSETTE HOLDER










1. To access the Fowler x-ray cassette holder, raise the Fowler section.
2. Grasp handles (A) and squeeze, allowing locating pins (B) to disengage from mounting brackets (C).
3. Lower tray and install x-ray cassette.
4. Reverse steps 1 & 2 to engage loaded tray to Fowler mounting brackets (C).

NOTE

The tray position can be adjusted, from the patient's head to the buttocks area, by loosening knob (D), sliding the tray to the desired position, and re-tightening (D) to hold the position.

Weigh System Control Panel Guide

The weigh system power switch is located under the foot end frame end. Pull the switch toward you to turn on power to the weigh system. When weigh system is not in use, turn off the switch to conserve battery life.

| SYMBOL | ACTION | MONITOR |
|---|---|--|
|  | <p><u>To prepare bed for new patient:</u></p> <p>Press and release "SCALE SYSTEM ON" to activate weigh system.</p> <p>NOTE Wait until the LCD flashes and shuts off before activating PATIENT WEIGHT.</p> | <p>LCD will flash and shut off.</p> |
|  | <p>Press and release "PATIENT WEIGHT" to begin a new function and to display patient weight.</p> | <p>"WEIGHING" "XXX.X LB G XX.X"</p> |
|  | <p>Press and release "LOCK/UNLOCK" to begin the "ZERO BED" function.</p> | <p>"LOCK/UNLOCK KEY?"</p> |
|  | <p>Press and hold "ZERO BED".</p> <p>Release "ZERO BED".</p> | <p>"KEY NOW UNLOCKED" "HOLD TO ZERO WT." "RELEASE TO ZERO" "DO NOT TOUCH BED" "0.0 LB"</p> |
|  | <p><u>After putting new patient on bed:</u></p> <p>Press and release "SCALE SYSTEM ON". Press and release "PATIENT WEIGHT". Press and hold "ZERO GAIN/LOSS"</p> <p>Release "ZERO GAIN/LOSS"</p> | <p>"XXX.X LB" "HOLD TO ZERO G/L" "RELEASE TO ZERO" "DO NOT TOUCH BED" "XXX.X LB G00.0"</p> |
|  | <p><u>To add or remove equipment without affecting registered patient weight:</u></p> <p>Press and release "SCALE SYSTEM ON". Press and release "PATIENT WEIGHT" Press "CHANGE EQUIP."</p> <p>Release "CHANGE EQUIP."</p> <p>Add or remove equipment.</p> | <p>"XXX.X LB" "HOLD TO START" "RELEASE TO START" "DO NOT TOUCH BED" "ADD/REMOVE EQUIP"</p> |
|  | <p>Press "CHANGE EQUIP. END" Release "CHANGE EQUIP. END"</p> | <p>"RELEASE TO FIN" "DO NOT TOUCH BED" "XXX.X LB GXX.X"</p> |

Weigh System Control Panel Guide

SYMBOL

ACTION

MONITOR



To lockout selected weigh system functions:

Press and release "LOCK/UNLOCK".

"LOCK/UNLOCK KEY?"

Press and release selected weigh system button.

"KEY NOW LOCKED"

Multiple functions can be locked out by repeating above steps. If a button is pressed for a function that has been locked out, the display will read: "KEY LOCKED OUT".

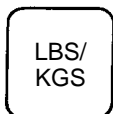
To unlock a function:

Press and release "LOCK/UNLOCK".

"LOCK/UNLOCK KEY"

Press and release selected button.

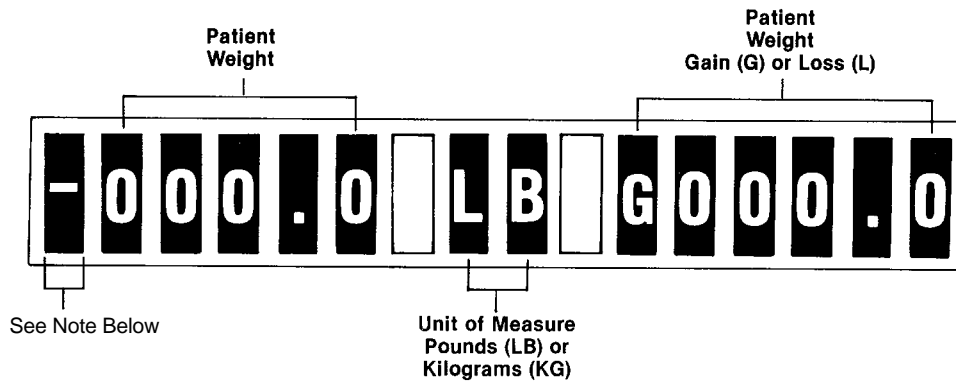
"KEY NOW UNLOCKED"



To convert the patient's weight to kilograms, press and release LBS/KGS".

"WEIGHT NOW KGS"
"XXX.X KG GXX.X"

Repeat the procedure to return to pounds.



BEFORE PUTTING A NEW PATIENT ON THE BED

- Prepare bed for patient stay (linens, blankets, pillows, etc.). The weigh system on/off/reset switch is located under the foot end frame end. Push the switch away from you to turn on power to the weigh system. When weigh system is not in use, turn off the switch to conserve battery life. This switch also controls power to the optional Trend/Fowler display and must be on for the LED's to light.
- Press and release "SCALE SYSTEM ON". The scale monitor will activate and immediately turn off.
- After the scale monitor turns off, press and release "PATIENT WEIGHT". The scale monitor will read:
"WEIGHING"
"XXX.X LB GXX.X"
- Press and release "LOCK/UNLOCK". The scale monitor will read:
"LOCK/UNLOCK KEY?"
- Press and hold "ZERO BED". The scale monitor will read:
"KEY NOW UNLOCKED"
"HOLD TO ZERO WT."
"RELEASE TO ZERO"
- Release "ZERO BED". The scale monitor will now read:
"DO NOT TOUCH BED"
"0.0 LB"

AFTER PUTTING A NEW PATIENT ON THE BED

- Press and release "SCALE SYSTEM ON" to activate the weigh system. The scale monitor will activate and immediately turn off.
- After the scale monitor turns off, press and release "PATIENT WEIGHT". After the scale monitor reads "XXX.X LB", press and hold "ZERO GAIN/LOSS". The scale monitor will read:
"HOLD TO ZERO G/L"
"RELEASE TO ZERO"
- Release "ZERO GAIN/LOSS". The scale monitor will read:
"DO NOT TOUCH BED"
"XXX.X LB G00.0"

NOTE

If a negative sign (-) appears in the patient weight display, weight has been removed from the bed after the "ZERO BED" function was completed. "ZERO BED" must be completed again before patient weight readings will be accurate.

Weigh System Usage

AFTER PUTTING A NEW PATIENT ON THE BED (CONTINUED)

- If it is necessary to add or remove special equipment (monitors, pumps, etc.) during the patient's stay, press and release "SCALE SYSTEM ON" to activate the weigh system. After the scale monitor activates and then turns off, press and release "PATIENT WEIGHT". After the scale monitor reads "XXX.X LB GXX.X", press and hold "CHANGE EQUIP." The scale monitor will read:
"HOLD TO START"
"RELEASE TO START"
- Release "CHANGE EQUIP." The scale monitor will read:
"DO NOT TOUCH BED"
"ADD/REMOVE EQUIP"
- Add or remove the equipment and press "CHANGE EQUIP. END". The scale monitor will read:
"RELEASE TO FIN."
- Release "CHANGE EQUIP. END". The scale monitor will read:
"DO NOT TOUCH BED"
"XXX.X LB GXX.X"

NOTE

Do not remove the patient from the bed before completing the equipment change function or the patient's weight will stay in the memory and be added to the next patient's weight reading. To remove the previous weight reading from the memory, remove the patient from the bed and complete the "ZERO BED" function again.

- To convert the patient's weight and weight gain/loss to kilograms, press and release "SCALE SYSTEM ON" to activate the weigh system. After the scale monitor activates and then turns off, press and release "PATIENT WEIGHT". After the scale monitor reads "XXX.X LB GXX.X", press and release the "LBS/KGS" button. The scale monitor will read:
"WEIGHT NOW KGS"
"XXX.X KG GXX.X"
- Repeat the procedure to return to pounds. The display will read:
"WEIGHT NOW LBS"
"XXX.X LB GXX.X"

CHARGING WEIGH SYSTEM BATTERIES

There is a low battery indicator light on the keypad next to the "SCALE SYSTEM ON" button. When the light is on, the weigh system batteries need to be charged.

The batteries are located under the head end frame end. **DO NOT** charge the batteries while they are on the bed. To remove the batteries, remove the two screws on the frame end bumper and lift off the plastic frame end. Disconnect the three power cables and remove all three batteries by pulling up each battery. Place the battery in an upright position and attach the charger. If a battery has zero power available, it will take 16 hours to completely charge.

When the low battery indicator light first comes on, there is still enough power to operate the weigh system for approximately one week.

Limited Warranty:

Stryker Medical Division, a division of Stryker Corporation, warrants to the original purchaser that its products should be free from defects in material and workmanship for a period of one (1) year after date of delivery. Stryker's obligation under this warranty is expressly limited to supplying replacement parts and labor for, or replacing, at its option, any product which is, in the sole discretion of Stryker, found to be defective. Stryker warrants to the original purchaser that the frame and welds on its beds will be free from structural defects for as long as the original purchaser owns the bed. If requested by Stryker, products or parts for which a warranty claim is made shall be returned prepaid to Stryker's factory. Any improper use or any alteration or repair by others in such manner as in Stryker's judgement affects the product materially and adversely shall void this warranty. No employee or representative of Stryker is authorized to change this warranty in any way.

This statement constitutes Stryker's entire warranty with respect to the aforesaid equipment. STRYKER MAKES NO OTHER WARRANTY OR REPRESENTATION, EITHER EXPRESSED OR IMPLIED, EXCEPT AS SET FORTH HEREIN. THERE IS NO WARRANTY OF MERCHANTABILITY AND THERE ARE NO WARRANTIES OF FITNESS FOR ANY PARTICULAR PURPOSE. IN NO EVENT SHALL STRYKER BE LIABLE HEREUNDER FOR INCIDENTAL OR CONSEQUENTIAL DAMAGES ARISING FROM OR IN ANY MANNER RELATED TO SALES OR USE OF ANY SUCH EQUIPMENT.

To Obtain Parts and Service:

Stryker products are supported by a nationwide network of dedicated Stryker Field Service Representatives. These representatives are factory trained, available locally, and carry a substantial spare parts inventory to minimize repair time. Simply call your local representative, or call Stryker Customer Service at (800) 327-0770.

Supplemental Warranty Coverage:

Stryker has developed a comprehensive program of extended warranty options designed to keep your equipment operating at peak performance at the same time it eliminates unexpected costs. We recommend that these programs be activated *before* the expiration of the new product warranty to eliminate the potential of additional equipment upgrade charges. Stryker offers the following Supplemental Warranties:

Extended (Parts and Labor)

- All replacement parts (excluding mattresses and consumable items)
- Labor and travel for *all* scheduled and unscheduled calls
- Biannual Preventive Maintenance Inspections and repairs
- JCAHO paperwork for preventive maintenance
- Priority Emergency Service

Standard (Labor Only):

- Labor and travel for *all* scheduled and unscheduled calls
- Biannual Preventive Maintenance Inspections and repairs
- JCAHO paperwork for preventive maintenance
- Priority Emergency Service

Basic (Parts Only):

- All replacement parts (excluding mattresses and consumable items)
- Priority Emergency Service

Please call your local representative, or call (800) 327-0770 for further information

Warranty

Return Authorization:

Merchandise cannot be returned without approval from the Stryker Customer Service Department. An authorization number will be provided which must be printed on the returned merchandise. Stryker reserves the right to charge shipping and restocking fees on returned items.

SPECIAL, MODIFIED, OR DISCONTINUED ITEMS NOT SUBJECT TO RETURN.

Damaged Merchandise:

ICC Regulations require that claims for damaged merchandise must be made with the carrier within fifteen (15) days of receipt of merchandise. **DO NOT ACCEPT DAMAGED SHIPMENTS UNLESS SUCH DAMAGE IS NOTED ON THE DELIVERY RECEIPT AT THE TIME OF RECEIPT.** Upon prompt notification, Stryker will file a freight claim with the appropriate carrier for damages incurred. Claim will be limited in amount to the actual replacement cost. In the event that this information is not received by Stryker within the fifteen (15) day period following the delivery of the merchandise, or the damage was not noted on the delivery receipt at the time of receipt, the customer will be responsible for payment of the original invoice in full.

Claims for any short shipment must be made within thirty (30) days of invoice.

International Warranty Clause:

This warranty reflects U.S. domestic policy. Warranty outside the U.S. may vary by country. Please contact your local Stryker Medical representative for additional information.



6300 Sprinkle Road, Kalamazoo, MI 49001-9799

(800) 327-0770

DH 6/92 2010-1-110 REV__