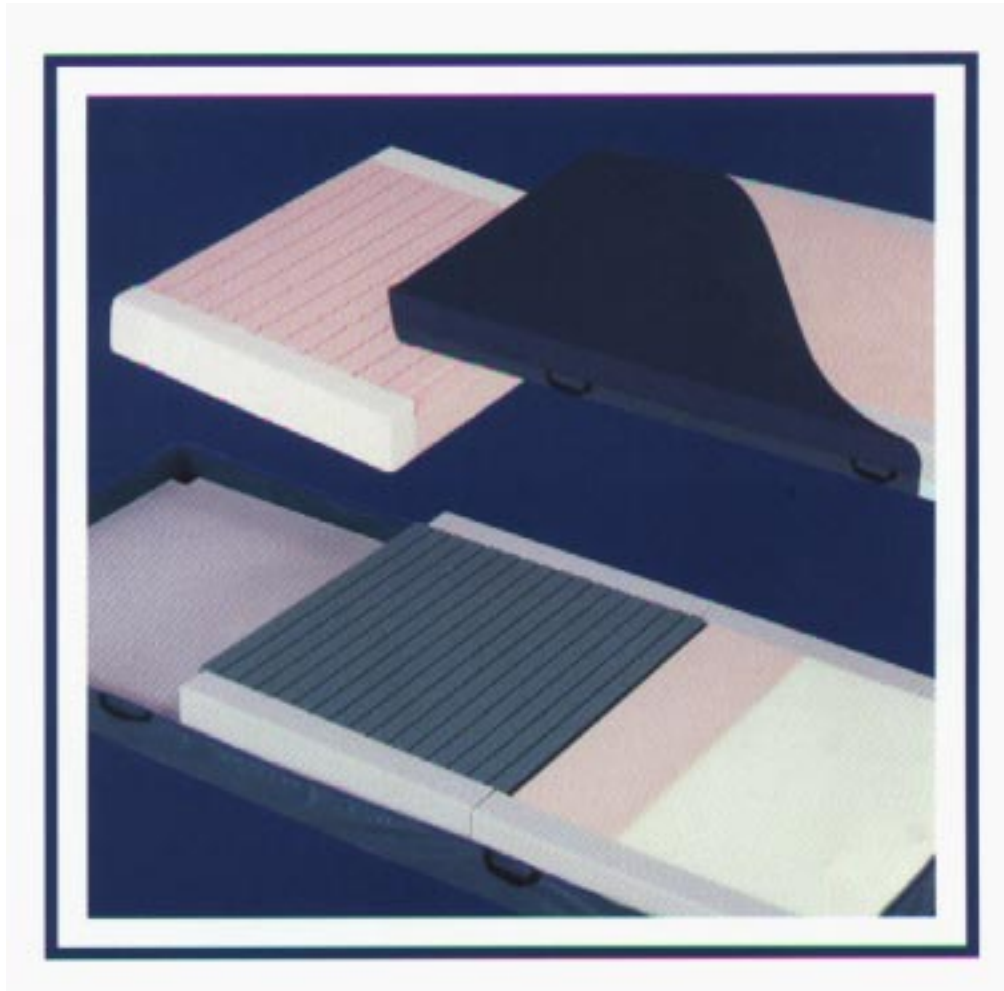


# PARTS LIST MANUAL

## Comfortline® Mattress From Hill-Rom®



# ***Comfortline Mattress Parts List Manual***

---

## **Revisions**

<b>Revision Letter</b>	<b>Pages Affected</b>	<b>Date</b>
Original Issue		September, 1997

man157

COPYRIGHT© 1997 HILL-ROM®, INC.

All rights reserved. No part of this text shall be reproduced or transmitted in any form or by any means, electronic or mechanical, including photocopying, recording, or by any information or retrieval system without written permission from HILL-ROM COMPANY, INC. (Hill-Rom).

First Edition

First Printing 1997

Printed in the USA

Hill-Rom® is a registered trademark of Hill-Rom Company, Inc.

Comfortline® is a registered trademark of Hill-Rom Company, Inc.

The information contained in this manual is subject to change without notice. Hill-Rom makes no commitment to update or keep current, the information contained in this manual.

The only product warranty intended by Hill-Rom is the express, written warranty accompanying the bill of sale to the original purchaser. Hill-Rom makes no other warranty, express or implied, and in particular, makes no warranty of merchantability or fitness for a particular purpose.

Additional copies of this manual can be obtained from Hill-Rom.

# Chapter 1

## Parts List

---

### Chapter Contents

Warranty .....	1 - 3
Service Parts Ordering .....	1 - 5
Exchange Policy .....	1 - 7
In-Warranty Exchanges .....	1 - 7
Out-of-Warranty Exchanges.....	1 - 7
General Cleaning and Inspection .....	1 - 8
Mattress Disinfection .....	1 - 8
Mattress Inspection.....	1 - 8
Ultimate Mattress Assembly (P560).....	1 - 10
Ultimate Mattress Assembly (P561).....	1 - 12
Ultimate Mattress Assembly (P562).....	1 - 14
Basic Mattress Assembly (P563) .....	1 - 16
Basic Mattress Assembly (P564) .....	1 - 22
Basic Mattress Assembly (P565) .....	1 - 28

# 1

---

*Chapter 1: Parts List*

**NOTES:**

---

## Warranty

# HILL-ROM, COMPANY, INC. LIMITED WARRANTY

Hill-Rom Company, Inc. (Hill-Rom) has a long tradition of providing superior products and service to our customer. Our goal is "Total Customer Satisfaction". In that spirit, Hill-Rom is proud to offer the following warranty.

### **GENERAL WARRANTY (APPLICABLE UNLESS A SPECIFIC WARRANTY IS LISTED)**

Hill-Rom warrants to the original purchaser that its products and replacement parts shall be free from defects in material and workmanship for a period of one (1) year from date of delivery. Hill-Rom's obligation under this warranty is expressly limited to supplying replacement parts and/or service for, or replacing, at its option, any product which is, in the sole discretion of Hill-Rom, found to be defective. In addition to the foregoing one year warranty, Hill-Rom warrants to the original purchaser that the frame and welds on its products will be free from structural defects for the life of the product. Any product upgrade or modification initiated by Hill-Rom does not affect the original product warranty.

### **SPECIFIC WARRANTIES**

#### **MATTRESS WARRANTIES**

Hill-Rom warrants to the original purchaser that its mattress product shall be free from defects in material and workmanship for a period of two (2) years from date of delivery. However, electro mechanical mattress components (compressors, valves, printed circuit boards, hoses, and couplers) are covered by the general one (1) year warranty.

#### **EXPENDABLES WARRANTIES**

A sixty (60) day limited warranty from date of delivery applies to expendable parts such as cushions, coverlets, software diskettes, locator badge batteries, dome light incandescent bulbs, overhead fluorescent tubes, heating elements, temperature probes, filter sheets, and microspheres. This warranty is limited to replacement of the parts covered.

#### **TO OBTAIN PARTS AND SERVICE**

In the United States, call Hill-Rom Technical Support Department at (800) 445-3720, Monday through Friday. In Canada, call Hill-Rom Technical Support Department at (800) 267-2337, Monday through Friday. Outside the United States and Canada, call your authorized Hill-Rom Distributor. In order to expedite service, we request you furnish the following information: customer identification number, product model number, serial number, and description of problem. A qualified specialist will provide, via telephone (United States and Canada), or FAX (Outside the United States and Canada), troubleshooting assistance for facility personnel and provide necessary parts to make repairs. If troubleshooting determines the need for on-site technical service, a qualified service representative will be dispatched. Replacement of non-technical items will be the responsibility of the customer. If requested by Hill-Rom, products or parts for which a warranty claim is made shall be returned prepaid to Hill-Rom's factory.

#### **OUT OF WARRANTY EXCHANGE POLICY**

After the expiration of the original warranty, upon request, Hill-Rom will ship as a replacement, components such as selected: motors and printed circuit boards, for like units returned to Hill-Rom by the original purchaser at a substantial savings. Please call Hill-Rom Technical Support Department for current pricing.

#### **PARTS AVAILABILITY POLICY**

Hill-Rom will offer parts for new and remanufactured products for ten (10) years from date of sale; for communications products for five (5) years from date of sale.

Note: Some original component parts and assemblies may not be available; functional equivalents may be substituted.

### **THE FOREGOING WARRANTIES ARE EXCLUSIVE AND IN LIEU OF ALL OTHER EXPRESS WARRANTIES AND IMPLIED WARRANTIES, INCLUDING BUT NOT LIMITED TO, THE IMPLIED WARRANTIES OF MERCHANTABILITY AND FITNESS OF PURPOSE. HILL-ROM'S OBLIGATION UNDER THESE WARRANTIES SHALL NOT INCLUDE ANY LIABILITY FOR LOSS OF PROFITS, DIRECT, INDIRECT OR CONSEQUENTIAL DAMAGES OR DELAYS.**

Some states, provinces, or countries do not allow the exclusion or limitation of incidental or consequential damages, so the above exclusion or limitation may not apply. Any improper or negligent use, any alterations or repairs not in accordance with Hill-Rom's manuals or performed by others in such manner as in Hill-Rom's sole judgment affects the product materially and adversely, shall void these warranties. These warranties do not cover failures due to misuse, abuse, neglect, or lack of routine maintenance. No employee or representative of Hill-Rom is authorized to change these warranties in any way or grant any other warranty unless in writing and signed by a Hill-Rom officer. These warranties provide specific legal rights; but, there may be other available rights, which vary from state to state, province to province, or country to country.

Revised April 17, 1997

# 1

*Warranty*

*Chapter 1: Parts List*

---

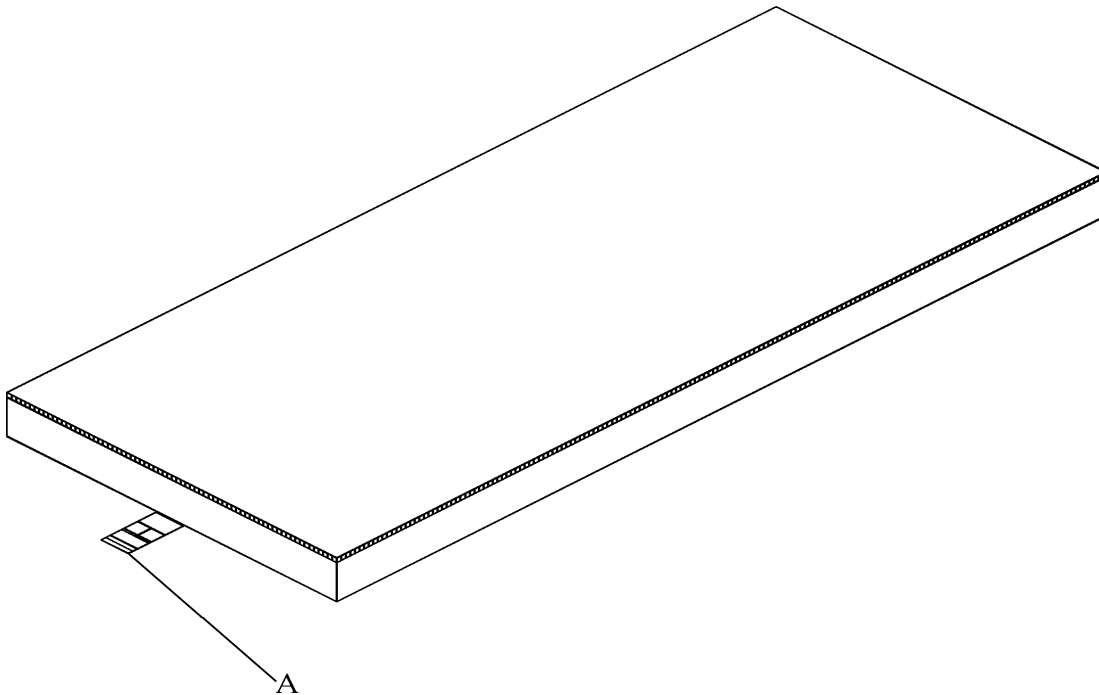
**NOTES:**

---

## Service Parts Ordering

Using the parts lists in this manual, identify the part number(s) you require. Find the product number and serial number on the product identification label (A) (see figure 1-1 on page 1-5).

**Figure 1-1. Product Identification Label Location**



m157\_001

Call Hill-Rom Technical Support at (800) 445-3720 with the following information:

- Six-digit customer account number
- Purchase order number
- Product number
- Serial number
- Part number(s)

Hill-Rom also provides a fax number to promptly order parts, request part prices and availability, or follow up on a service order. The fax number is (812) 934-8472.



To order parts, a \$40.00 minimum will prevent a charge for processing your order.

**Terms:**

- Net 30 days
- F.O.B. Batesville, IN
- Prepaid shipping charges added to invoice
- All orders shipped UPS ground unless specified

**Address all inquiries to:**

ATTN TECHNICAL SUPPORT—PARTS  
HILL-ROM COMPANY  
1069 STATE ROUTE 46 E  
BATESVILLE IN 47006-9167

**Address all return goods to:**

ATTN SERVICE STORES  
DISTRIBUTION CENTER DOOR D23  
HILL-ROM COMPANY  
COUNTY ROAD 300E  
BATESVILLE IN 47006-9167

**NOTE:**

To eliminate possible delays or incorrect billings, **do not** return any items without a Return Material Authorization (RMA) number. When a return is requested, an RMA packet is included with each order. This packet includes an RMA number, instructions, and a shipping label. If an RMA number is not available, obtain one by phoning Hill-Rom Technical Support at (800) 445-3720.

---

## Exchange Policy

The following are Hill-Rom's policies for in-warranty and out-of-warranty exchanges.

### In-Warranty Exchanges

In some cases, Hill-Rom will request that parts/products be returned for inspection. When this occurs, you are expected to return parts/products within 30 days of receipt of the exchange part. If you fail to return the inoperative parts/products within the 30 day period, Hill-Rom will invoice your facility for the full selling price of the parts/products.

**NOTE:**

The preceding billing procedure pertains **only** to parts/products that Hill-Rom requests to be returned.

In some cases, the invoice accompanying the parts will show the full selling price (only for Hill-Rom's internal use). Do not confuse this price with your price.

**Do not** return any parts without an RMA number. When parts/products have been requested to be returned, Hill-Rom will include an RMA packet with the parts/products shipment. If an RMA number is not available, obtain one by phoning Hill-Rom Technical Support at (800) 445-3720.

### Out-of-Warranty Exchanges

You are expected to return the inoperative parts/product within 30 days of receipt of the exchange part. Hill-Rom will include an RMA packet with the parts/products shipment. If an RMA number is not available, obtain one by phoning Hill-Rom Technical Support at (800) 445-3720. If you fail to return the equipment within 30 days, Hill-Rom will invoice your facility for **the difference between the exchange price and the new price of the part.**

## 1.1 General Cleaning and Inspection

Ensure compliance with OSHA regulations and CDC recommendations relating to Bloodborne pathogens. Follow the universal precautions, and use an EPA registered disinfectant in accordance with the manufacturer's label instructions when performing disinfecting procedures.

### Mattress Disinfection

**CAUTION:**

Do not expose the mattress to excessive moisture. Equipment damage may occur.

1. Remove visible soil from the surface by wiping the mattress with a soft cloth or paper towel.
2. Disinfect the mattress with an EPA registered disinfectant as directed on the label. Do not saturate the material or allow cleaning solutions to pool on the mattress. Allow the surface to air dry.

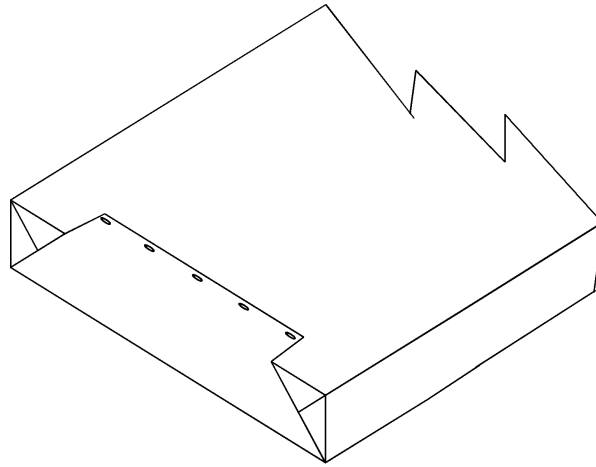
### Mattress Inspection

1. Inspect the mattress cover for cuts, stains, rips, cracks, or tears. If the cover is damaged or has a stain that cannot be removed, set the bed aside, and notify Hill-Rom according to your facility's call-in policy.

**CAUTION:**

When zipping the mattress cover closed, use one hand to pull the zipper and the other as a guide between the shear-cover and mattress cover. Using this method will prevent the shear-cover from becoming entangled in the zipper.

2. Unzip the mattress cover, and inspect the inside of the mattress cover for stains.
3. Unpin the fire barrier, if present, and check for stains on the barrier, the shear-cover, and the foam (see figure 1-2 on page 1-9).

**Figure 1-2. Fire Barrier**

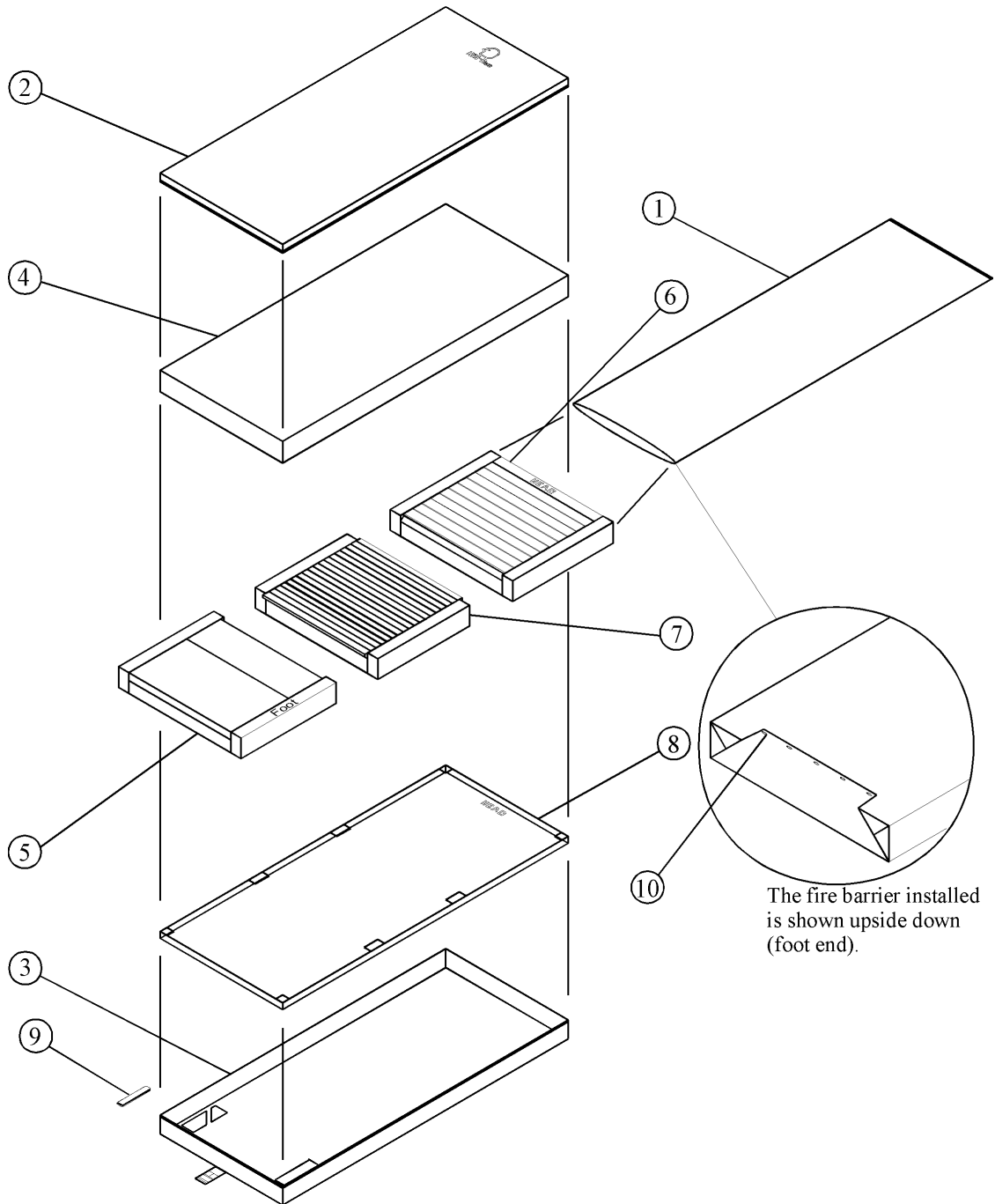
The fire barrier installed is shown upside down (foot end).

m157\_004

4. When installing the fire barrier, ensure it is pulled over the foam with the sewn edge to the inside and pinned at the foot end.
5. Inspect the shear-cover for tears. If there is any soiling or damage to the mattress cover, shear-cover, or top foam, set the bed aside, and notify Hill-Rom.

## Ultimate Mattress Assembly (P560)

Figure 1-3. Ultimate Mattress Assembly (P560)



m157\_002

**Table 1-1. Ultimate Mattress Assemblies (P560EA1 and P560EA2)**

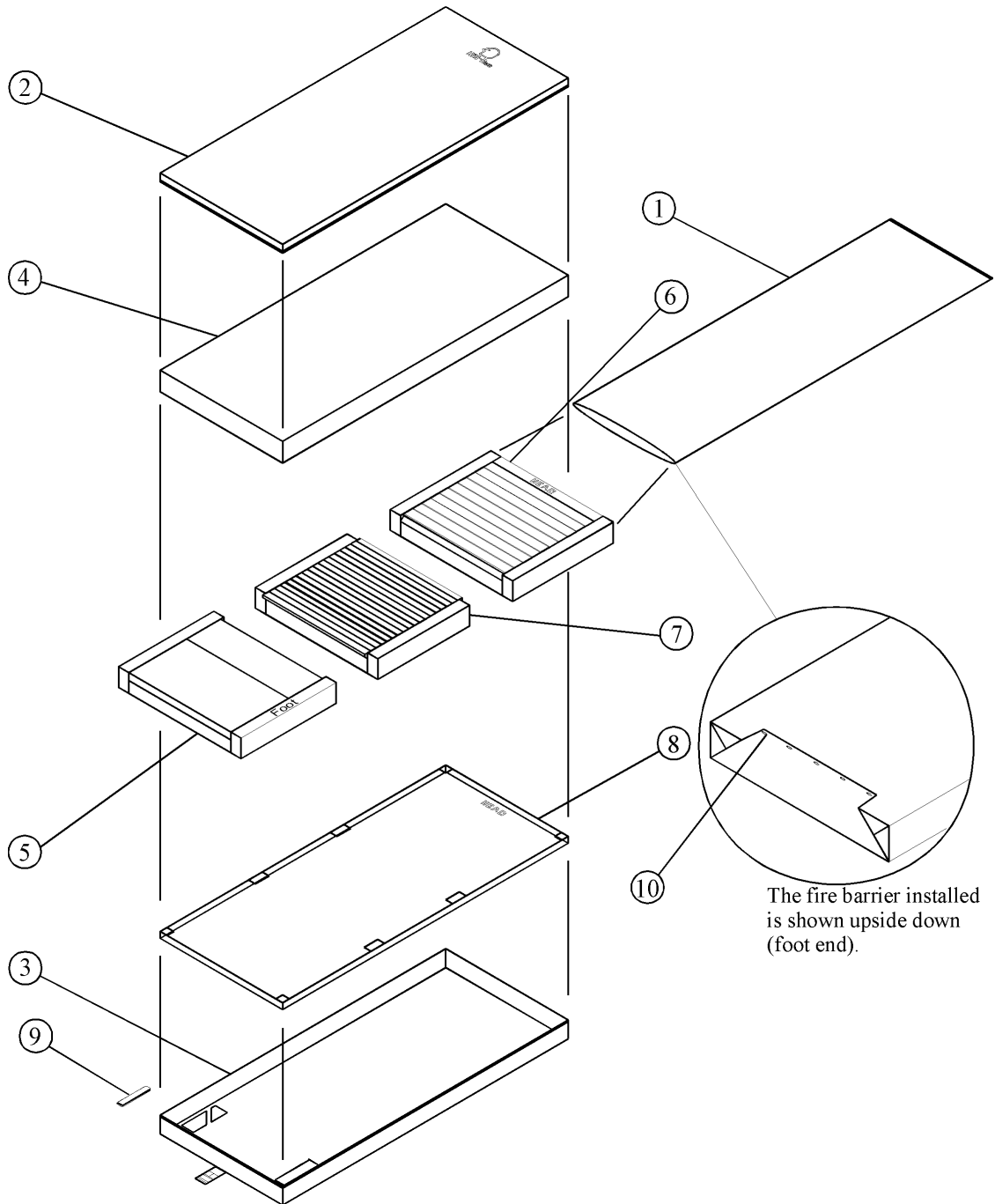
<b>Item Number</b>	<b>Part Number</b>	<b>Quantity</b>	<b>Description</b>
1	100-005-0083	1	Fire barrier CC mattress
2	100-005-0084	1	Cover, mattress CC polyurethane
3	100-005-0085	1	Base, vinyl enclosed, CC
4	100-005-0086	1	Shear-cover CC
5	070-001-0016	1	Foam, foot insert CC
6	070-001-0017	1	Foam, head insert CC
7	070-001-0018	1	Foam, seat insert CC
8	070-001-0019	1	Base, foam CC
9	310-001-0519	2	Magnet (used on P560EA1 only)
10	For reference only	5	Safety pin, 1"

**Table 1-2. Ultimate Mattress Assemblies (P560CA1 and P560CA2)**

<b>Item Number</b>	<b>Part Number</b>	<b>Quantity</b>	<b>Description</b>
1	100-005-0083	1	Fire barrier CC mattress (not used)
2	100-005-0084	1	Cover, mattress CC polyurethane
3	100-005-0085	1	Base, vinyl enclosed, CC
4	100-005-0086	1	Shear-cover CC
5	070-001-0016	1	Foam, foot insert CC
6	070-001-0017	1	Foam, head insert CC
7	070-001-0018	1	Foam, seat insert CC
8	070-001-0019	1	Base, foam CC
9	310-001-0519	2	Magnet (used on P560CA1 only)
10	For reference only	5	Safety pin, 1"

## Ultimate Mattress Assembly (P561)

Figure 1-4. Ultimate Mattress Assembly (P561)



m157\_002

**Table 1-3. Ultimate Mattress Assemblies (P561EA1 and P561EA2)**

<b>Item Number</b>	<b>Part Number</b>	<b>Quantity</b>	<b>Description</b>
1	100-005-0073	1	Fire barrier 80" mattress
2	100-005-0074	1	Cover, 80" mattress polyurethane
3	100-005-0078	1	Base, vinyl enclosed, 80"
4	100-005-0079	1	Shear-cover 80"
5	070-001-0011	1	Foam, foot insert 80"
6	070-001-0012	1	Foam, head insert 80"
7	070-001-0008	1	Foam, seat insert
8	070-001-0014	1	Base, foam 80"
9	310-001-0519	2	Magnet (used on P561EA1 only)
10	For reference only	5	Safety pin, 1"

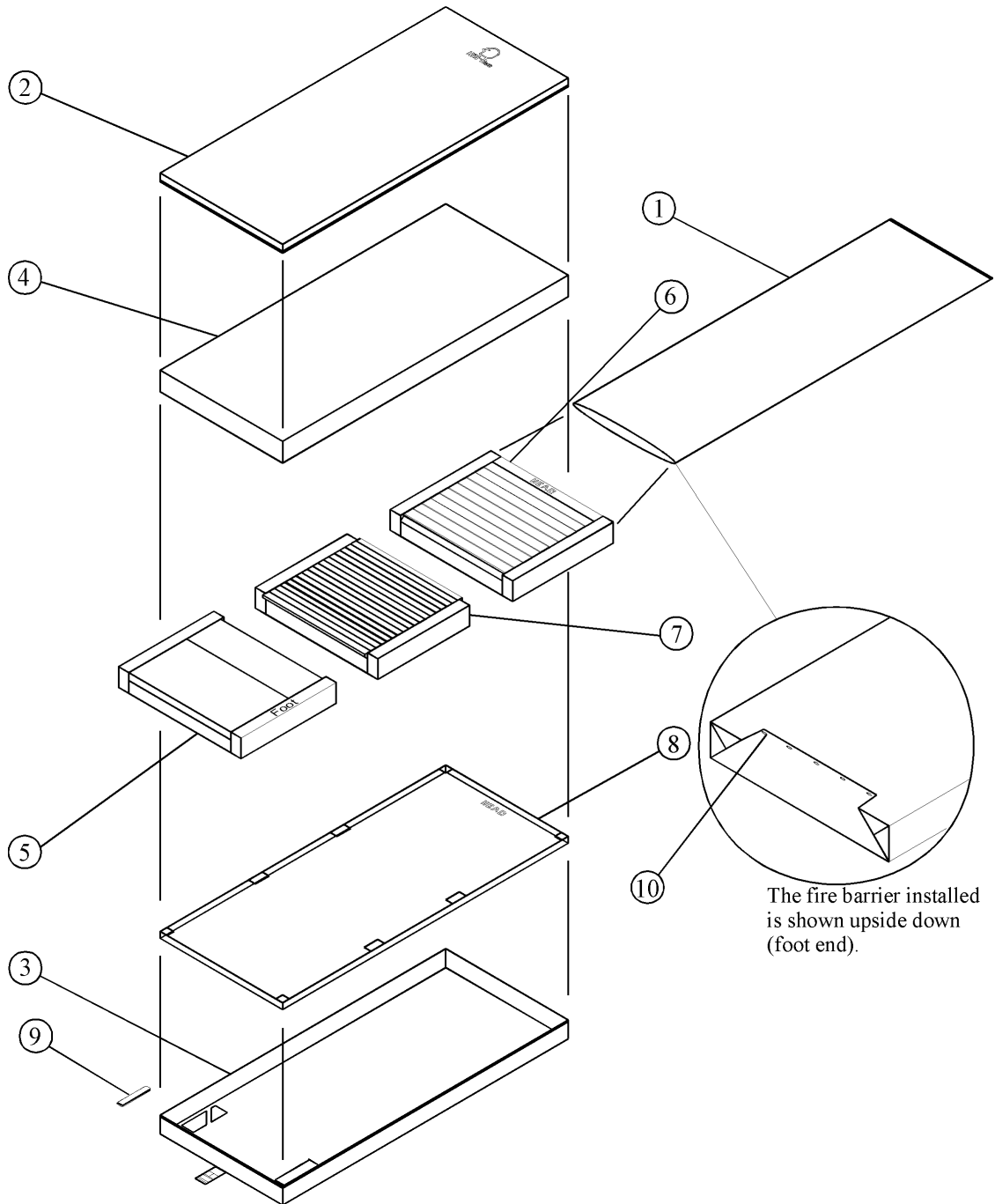
**Table 1-4. Ultimate Mattress Assemblies (P561CA1 and P561CA2)**

<b>Item Number</b>	<b>Part Number</b>	<b>Quantity</b>	<b>Description</b>
1	100-005-0073	1	Fire barrier 80" mattress (not used)
2	100-005-0074	1	Cover, 80" mattress polyurethane
3	100-005-0078	1	Base, vinyl enclosed, 80"
4	100-005-0079	1	Shear-cover 80"
5	070-001-0011	1	Foam, foot insert 80"
6	070-001-0012	1	Foam, head insert 80"
7	070-001-0008	1	Foam, seat insert
8	070-001-0014	1	Base, foam 80"
9	310-001-0519	2	Magnet (used on P561CA1 only)
10	For reference only	5	Safety pin, 1"



**Ultimate Mattress Assembly (P562)**

Figure 1-5. Ultimate Mattress Assembly (P562)



m157\_002

**Table 1-5. Ultimate Mattress Assemblies (P562EA1 and P562EA2)**

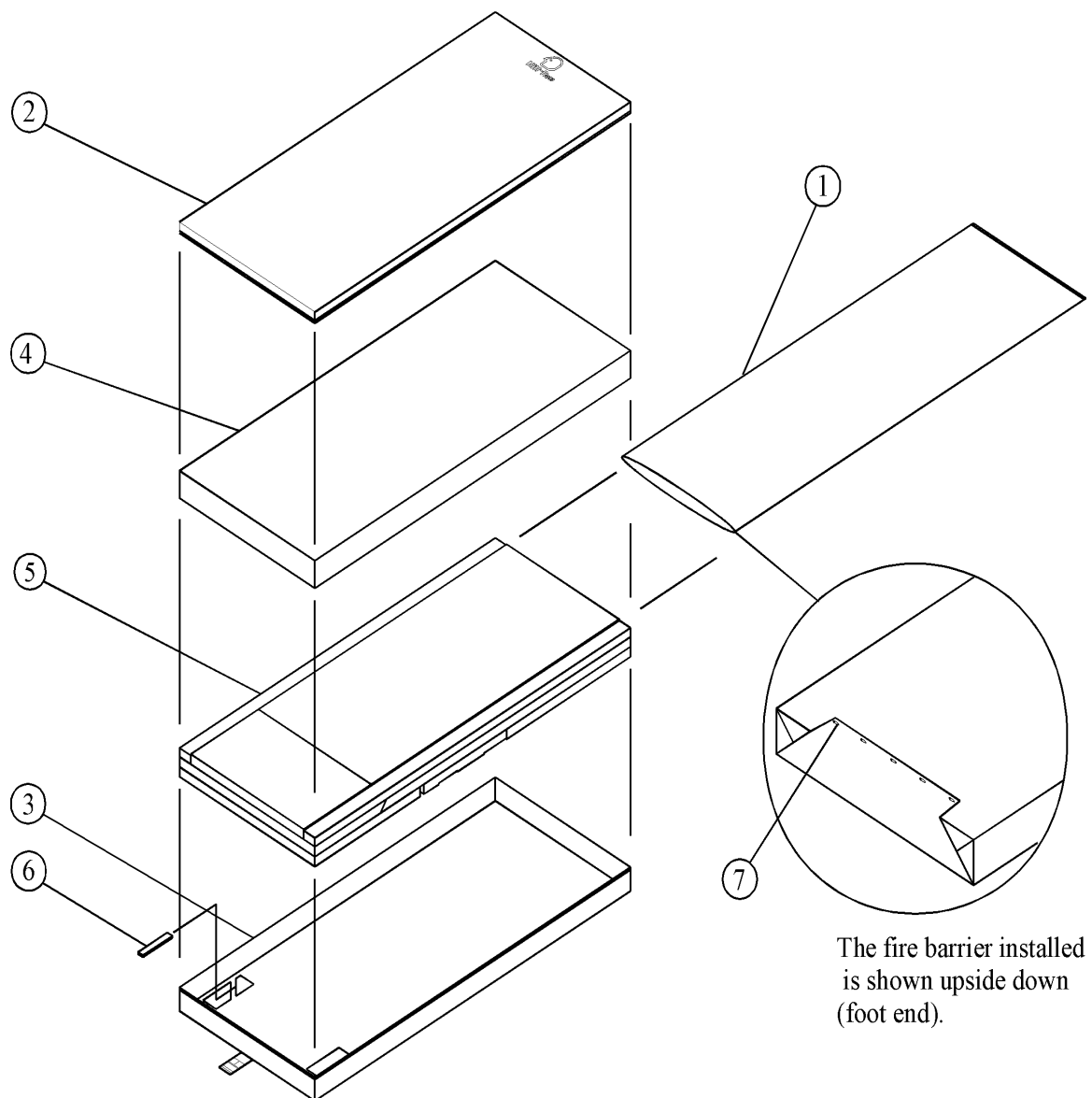
<b>Item Number</b>	<b>Part Number</b>	<b>Quantity</b>	<b>Description</b>
1	100-005-0069	1	Fire barrier 84" mattress
2	100-005-0070	1	Cover, mattress 84" polyurethane
3	100-005-0071	1	Base, vinyl enclosed, 84"
4	100-005-0072	1	Shear-cover 84"
5	070-001-0006	1	Foam, foot insert 84"
6	070-001-0007	1	Foam, head insert 84"
7	070-001-0008	1	Foam, seat insert
8	070-001-0009	1	Base, foam 84"
9	310-001-0519	2	Magnet (used on P562EA1 only)
10	For reference only	5	Safety pin, 1"

**Table 1-6. Ultimate Mattress Assemblies (P562CA1 and P562CA2)**

<b>Item Number</b>	<b>Part Number</b>	<b>Quantity</b>	<b>Description</b>
1	100-005-0069	1	Fire barrier 84" mattress (not used)
2	100-005-0070	1	Cover, mattress 84" polyurethane
3	100-005-0071	1	Base, vinyl enclosed, 84"
4	100-005-0072	1	Shear-cover 84"
5	070-001-0006	1	Foam, foot insert 84"
6	070-001-0007	1	Foam, head insert 84"
7	070-001-0008	1	Foam, seat insert
8	070-001-0009	1	Base, foam 84"
9	310-001-0519	2	Magnet (used on P562CA1 only)
10	For reference only	5	Safety pin, 1"

**Basic Mattress Assembly (P563)**

Figure 1-6. Basic Mattress Assembly (P563)



m157\_003

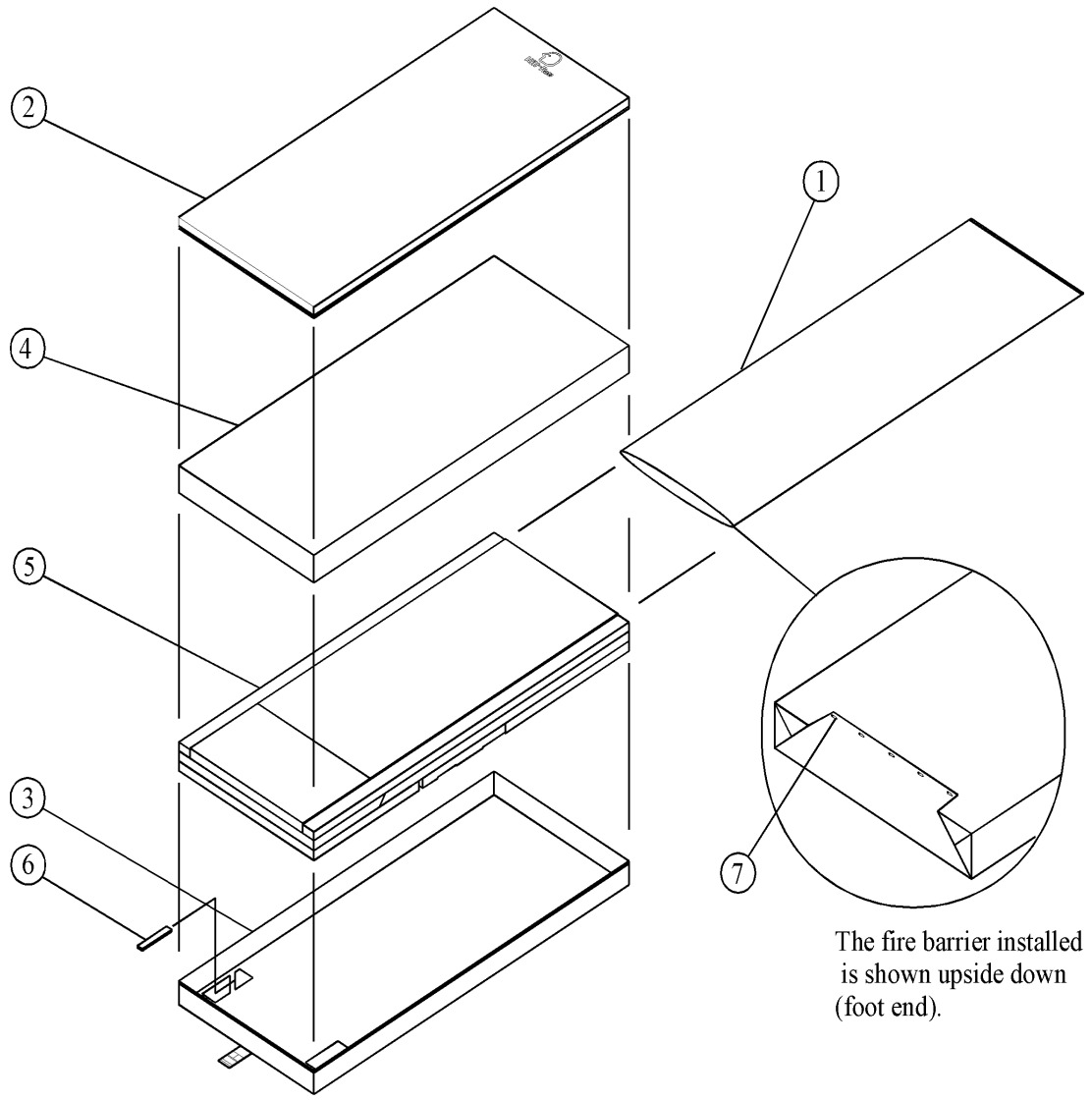
**Table 1-7. Basic Mattress Assemblies (P563EA1 and P563EA2)**

<b>Item Number</b>	<b>Part Number</b>	<b>Quantity</b>	<b>Description</b>
1	100-005-0083	1	Fire barrier CC mattress
2	100-005-0084	1	Cover, mattress CC polyurethane
3	100-005-0088	1	Base, vinyl enclosed, CC
4	100-005-0089	1	Shear-cover CC
5	070-001-0020	1	Foam mattress, isometric CC
6	310-001-0519	2	Magnet (used on P563EA1 only)
7	For reference only	5	Safety pin, 1"

**Table 1-8. Basic Mattress Assemblies (P563CA1 and P563CA2)**

<b>Item Number</b>	<b>Part Number</b>	<b>Quantity</b>	<b>Description</b>
1	100-005-0083	1	Fire barrier CC mattress (not used)
2	100-005-0084	1	Cover, mattress CC polyurethane
3	100-005-0088	1	Base, vinyl enclosed, CC
4	100-005-0089	1	Shear-cover CC
5	070-001-0020	1	Foam mattress, isometric CC
6	310-001-0519	2	Magnet (used on P563CA1 only)
7	For reference only	5	Safety pin, 1"

Figure 1-7. Basic Mattress Assembly (P563)



The fire barrier installed is shown upside down (foot end).

m157\_003

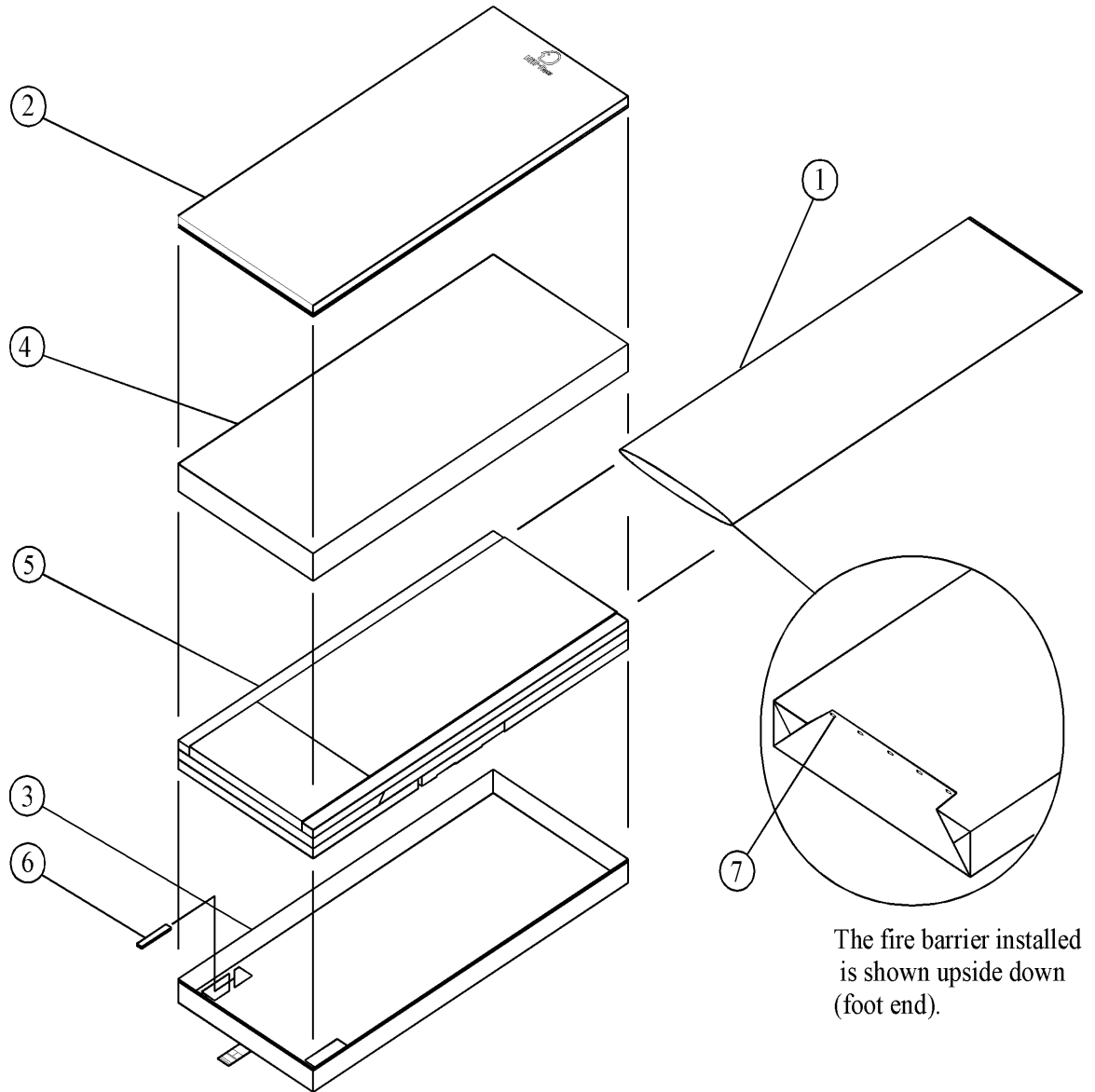
**Table 1-9. Basic Mattress Assemblies (P563EA3 and P563EA4)**

<b>Item Number</b>	<b>Part Number</b>	<b>Quantity</b>	<b>Description</b>
1	100-005-0083	1	Fire barrier CC mattress
2	100-005-0087	1	Cover, mattress CC nylon
3	100-005-0088	1	Base, vinyl enclosed, CC
4	100-005-0089	1	Shear-cover CC
5	070-001-0020	1	Foam mattress, isometric CC
6	310-001-0519	2	Magnet (used on P563EA3 only)
7	For reference only	5	Safety pin, 1"

**Table 1-10. Basic Mattress Assemblies (P563CA3 and P563CA4)**

<b>Item Number</b>	<b>Part Number</b>	<b>Quantity</b>	<b>Description</b>
1	100-005-0083	1	Fire barrier CC mattress (not used)
2	100-005-0087	1	Cover, mattress CC nylon
3	100-005-0088	1	Base, vinyl enclosed, CC
4	100-005-0089	1	Shear-cover CC
5	070-001-0020	1	Foam mattress, isometric CC
6	310-001-0519	2	Magnet (used on P563CA3 only)
7	For reference only	5	Safety pin, 1"

Figure 1-8. Basic Mattress Assembly (P563)



The fire barrier installed is shown upside down (foot end).

m157\_003

**Table 1-11. Basic Mattress Assemblies (P563EA5 and P563EA6)**

<b>Item Number</b>	<b>Part Number</b>	<b>Quantity</b>	<b>Description</b>
1	100-005-0083	1	Fire barrier CC mattress
2	100-005-0087	1	Cover, mattress CC nylon
3	100-005-0088	1	Base, vinyl enclosed, CC
4	100-005-0089	1	Shear-cover CC (not used)
5	070-001-0020	1	Foam mattress, isometric CC
6	310-001-0519	2	Magnet (used on P563EA5 only)
7	For reference only	5	Safety pin, 1"

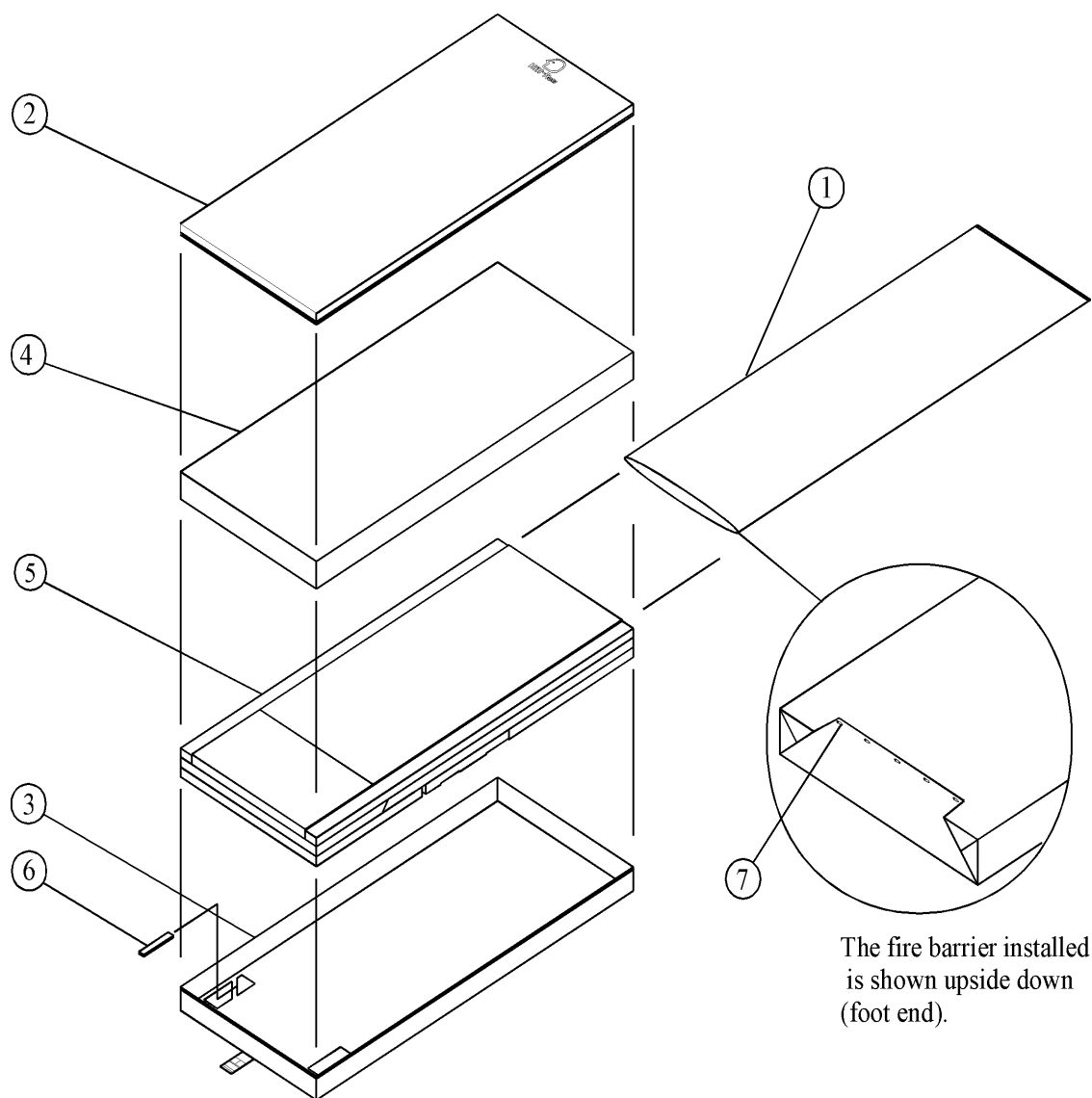
**Table 1-12. Basic Mattress Assemblies (P563CA5 and P563CA6)**

<b>Item Number</b>	<b>Part Number</b>	<b>Quantity</b>	<b>Description</b>
1	100-005-0083	1	Fire barrier CC mattress (not used)
2	100-005-0087	1	Cover, mattress CC nylon
3	100-005-0088	1	Base, vinyl enclosed, CC
4	100-005-0089	1	Shear-cover CC (not used)
5	070-001-0020	1	Foam mattress, isometric CC
6	310-001-0519	2	Magnet (used on P563CA5 only)
7	For reference only	5	Safety pin, 1"



**Basic Mattress Assembly (P564)**

Figure 1-9. Basic Mattress Assembly (P564)



The fire barrier installed is shown upside down (foot end).

m157\_003

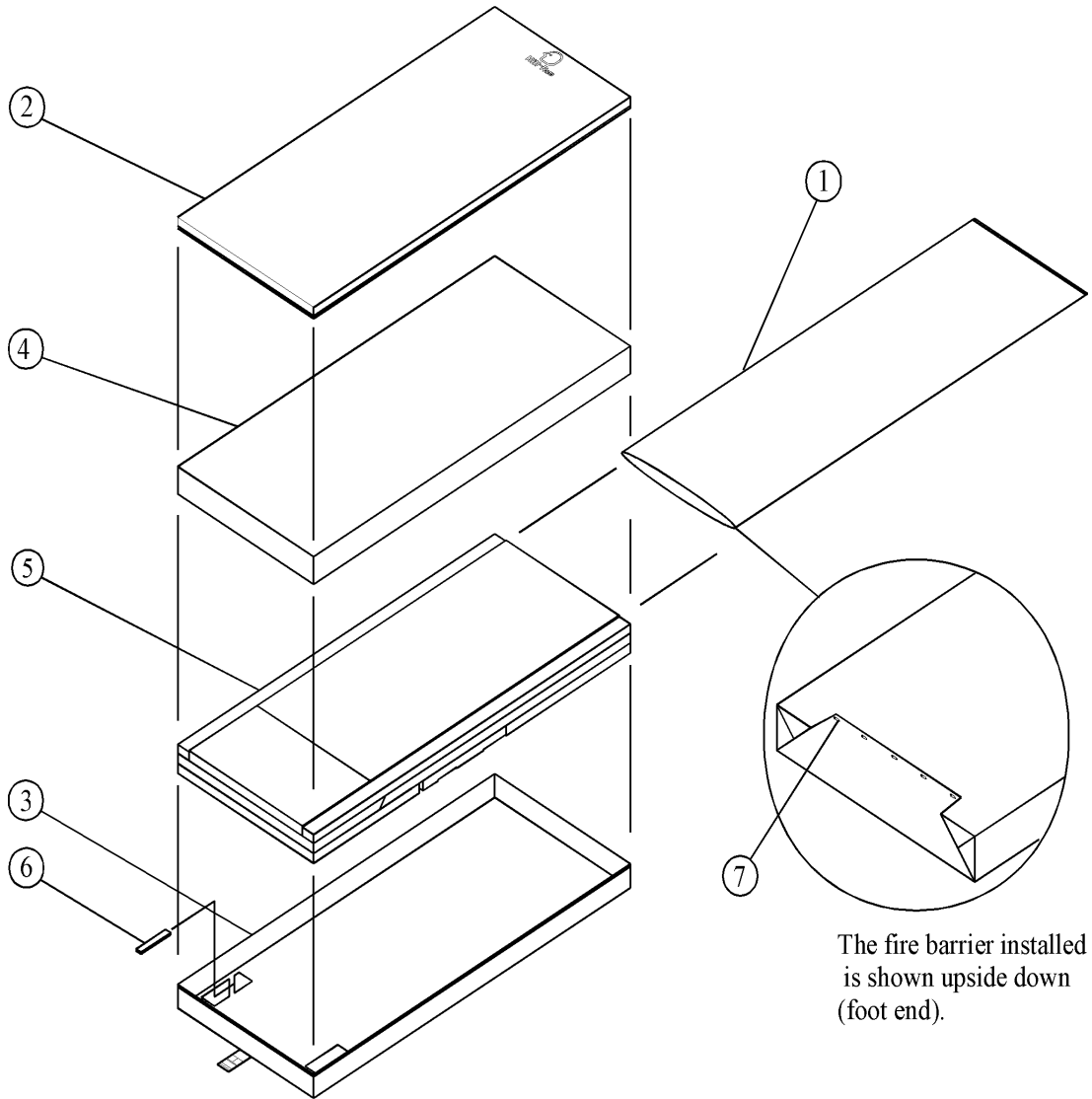
**Table 1-13. Basic Mattress Assemblies (P564EA1 and P564EA2)**

<b>Item Number</b>	<b>Part Number</b>	<b>Quantity</b>	<b>Description</b>
1	100-005-0073	1	Fire barrier 80" mattress
2	100-005-0074	1	Cover, mattress 80" polyurethane
3	100-005-0076	1	Base, vinyl enclosed, 80"
4	100-005-0077	1	Shear-cover 80"
5	070-001-0010	1	Foam mattress, isometric 80"
6	310-001-0519	2	Magnet (used on P564EA1 only)
7	For reference only	5	Safety pin, 1"

**Table 1-14. Basic Mattress Assemblies (P564CA1 and P564CA2)**

<b>Item Number</b>	<b>Part Number</b>	<b>Quantity</b>	<b>Description</b>
1	100-005-0073	1	Fire barrier 80" mattress (not used)
2	100-005-0074	1	Cover, mattress 80" polyurethane
3	100-005-0076	1	Base, vinyl enclosed, 80"
4	100-005-0077	1	Shear-cover 80"
5	070-001-0010	1	Foam mattress, isometric 80"
6	310-001-0519	2	Magnet (used on P564CA1 only)
7	For reference only	5	Safety pin, 1"

Figure 1-10. Basic Mattress Assembly (P564)



The fire barrier installed is shown upside down (foot end).

m157\_003

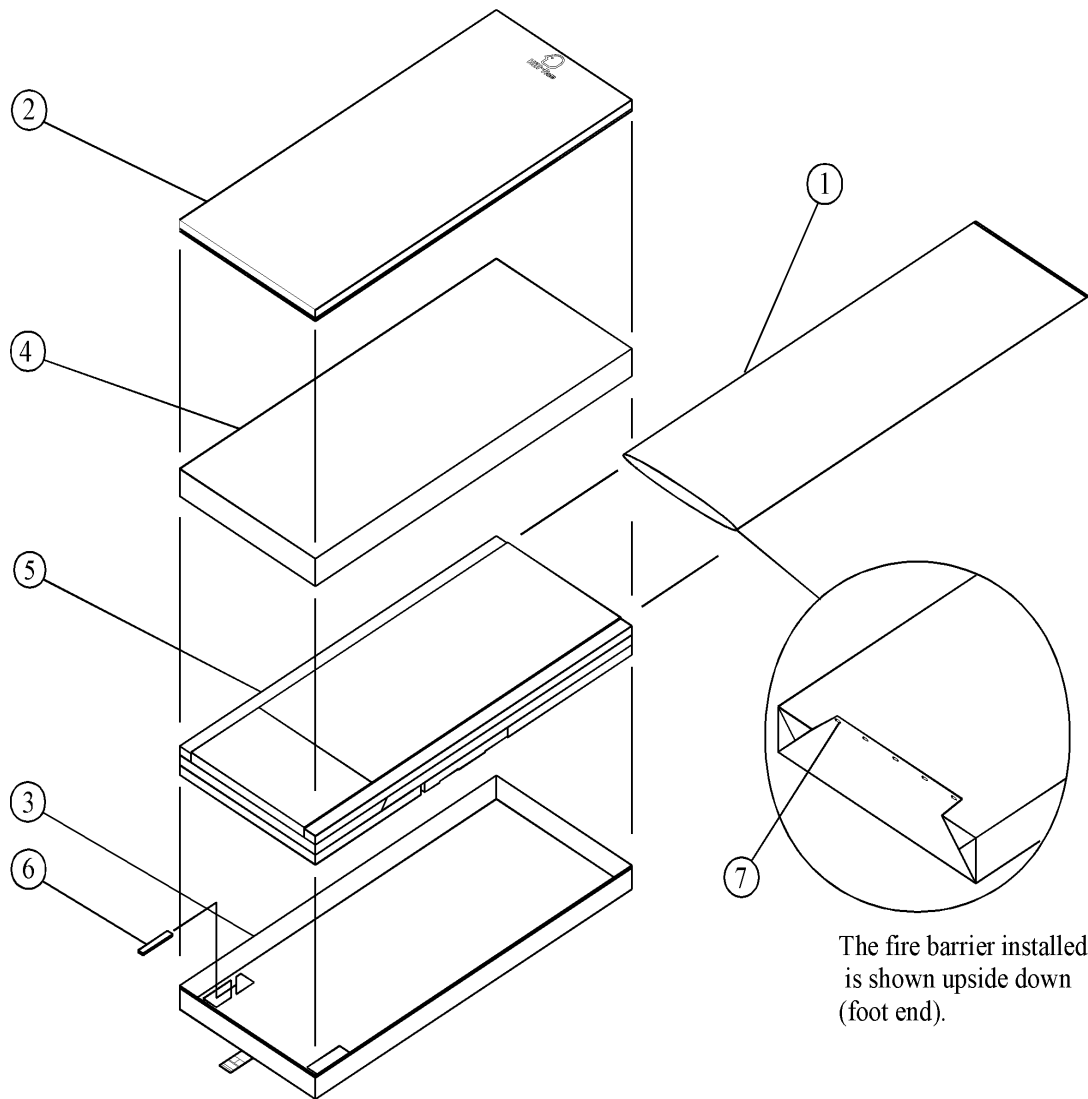
**Table 1-15. Basic Mattress Assemblies (P564EA3 and P564EA4)**

<b>Item Number</b>	<b>Part Number</b>	<b>Quantity</b>	<b>Description</b>
1	100-005-0073	1	Fire barrier 80" mattress
2	100-005-0075	1	Cover, mattress 80" nylon
3	100-005-0076	1	Base, vinyl enclosed, 80"
4	100-005-0077	1	Shear-cover 80"
5	070-001-0010	1	Foam mattress, isometric 80"
6	310-001-0519	2	Magnet (used on P564EA3 only)
7	For reference only	5	Safety pin, 1"

**Table 1-16. Basic Mattress Assemblies (P564CA3 and P564CA4)**

<b>Item Number</b>	<b>Part Number</b>	<b>Quantity</b>	<b>Description</b>
1	100-005-0073	1	Fire barrier 80" mattress (not used)
2	100-005-0075	1	Cover, mattress 80" nylon
3	100-005-0076	1	Base, vinyl enclosed, 80"
4	100-005-0077	1	Shear-cover 80" (not used)
5	070-001-0010	1	Foam mattress, isometric 80"
6	310-001-0519	2	Magnet (used on P564CA3 only)
7	For reference only	5	Safety pin, 1"

Figure 1-11. Basic Mattress Assembly (P564)



The fire barrier installed is shown upside down (foot end).

m157\_003

**Table 1-17. Basic Mattress Assemblies (P564EA5 and P564EA6)**

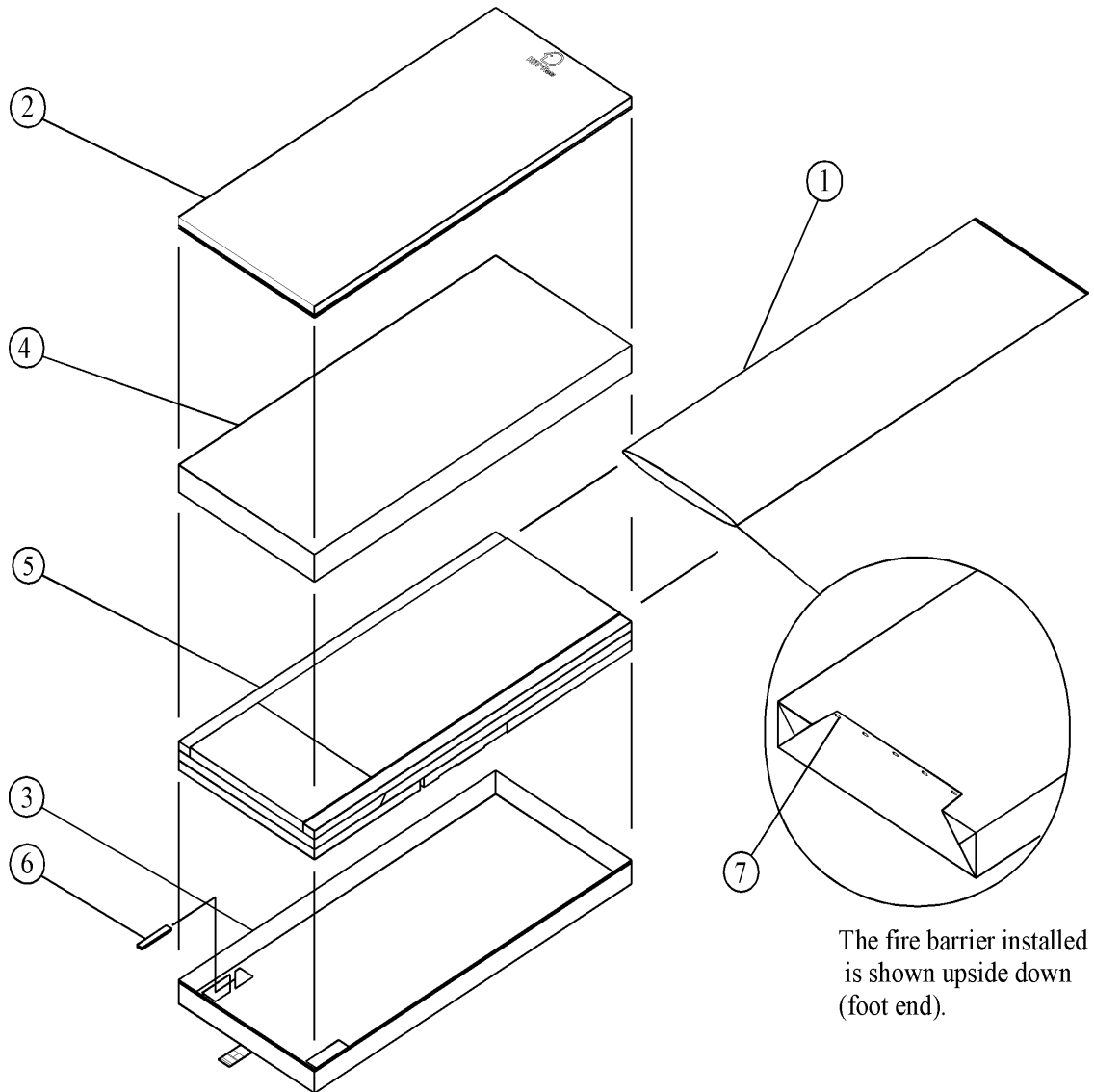
<b>Item Number</b>	<b>Part Number</b>	<b>Quantity</b>	<b>Description</b>
1	100-005-0073	1	Fire barrier 80" mattress
2	100-005-0075	1	Cover, mattress 80" nylon
3	100-005-0076	1	Base, vinyl enclosed, 80"
4	100-005-0077	1	Shear-cover 80" (not used)
5	070-001-0010	1	Foam mattress, isometric 80"
6	310-001-0519	2	Magnet (used on P564EA5 only)
7	For reference only	5	Safety pin, 1"

**Table 1-18. Basic Mattress Assemblies (P564CA5 and P564CA6)**

<b>Item Number</b>	<b>Part Number</b>	<b>Quantity</b>	<b>Description</b>
1	100-005-0073	1	Fire barrier 80" mattress (not used)
2	100-005-0075	1	Cover, mattress 80" nylon
3	100-005-0076	1	Base, vinyl enclosed, 80"
4	100-005-0077	1	Shear-cover 80" (not used)
5	070-001-0010	1	Foam mattress, isometric 80"
6	310-001-0519	2	Magnet (used on P564CA5 only)
7	For reference only	5	Safety pin, 1"

**Basic Mattress Assembly (P565)**

Figure 1-12. Basic Mattress Assembly (P565)



m157\_003

**Table 1-19. Basic Mattress Assemblies (P565EA1 and P565EA2)**

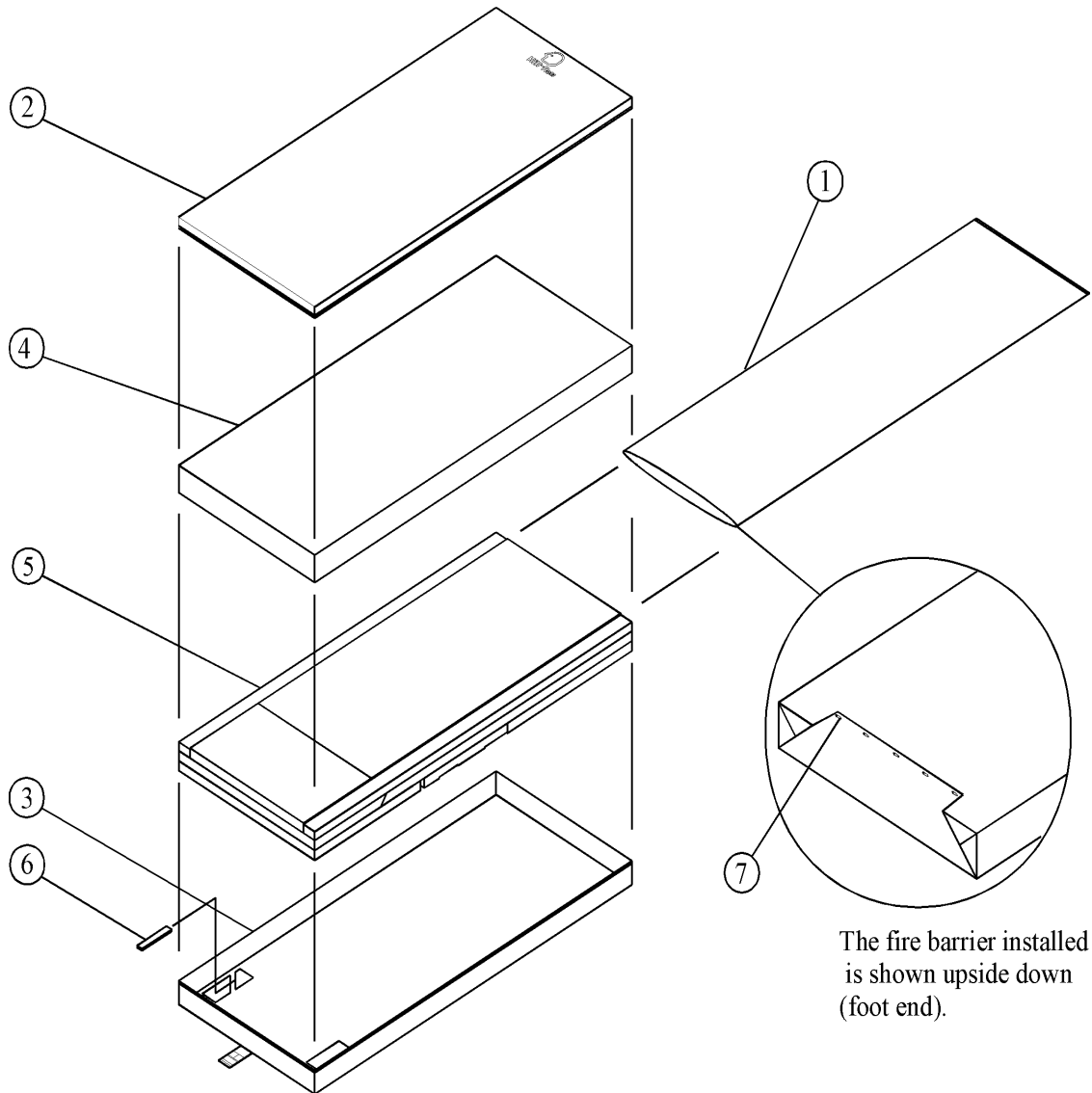
<b>Item Number</b>	<b>Part Number</b>	<b>Quantity</b>	<b>Description</b>
1	100-005-0069	1	Fire barrier 84" mattress
2	100-005-0070	1	Cover, mattress 84" polyurethane
3	100-005-0081	1	Base, vinyl enclosed, 84"
4	100-005-0082	1	Shear-cover, 84"
5	070-001-0015	1	Foam mattress, isometric 84"
6	310-001-0519	2	Magnet (used on P565EA1 only)
7	For reference only	5	Safety pin, 1"

**Table 1-20. Basic Mattress Assemblies (P565CA1 and P565CA2)**

<b>Item Number</b>	<b>Part Number</b>	<b>Quantity</b>	<b>Description</b>
1	100-005-0069	1	Fire barrier 84" mattress (not used)
2	100-005-0070	1	Cover, mattress 84" polyurethane
3	100-005-0081	1	Base, vinyl enclosed, 84"
4	100-005-0082	1	Shear-cover, 84"
5	070-001-0015	1	Foam mattress, isometric 84"
6	310-001-0519	2	Magnet (used on P565CA1 only)
7	For reference only	5	Safety pin, 1"



Figure 1-13. Basic Mattress Assembly (P565)



The fire barrier installed is shown upside down (foot end).

m157\_003

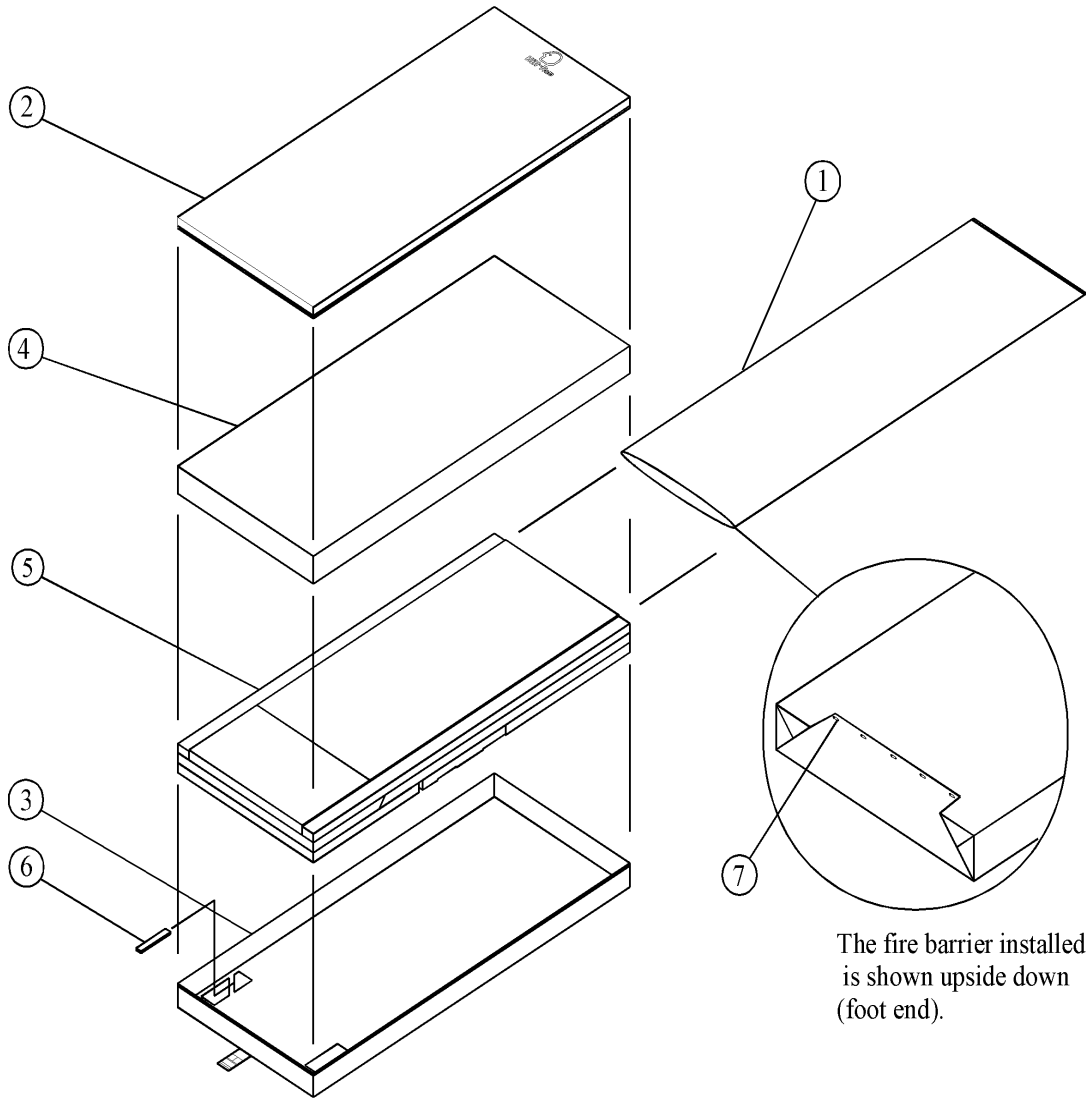
**Table 1-21. Basic Mattress Assemblies (P565EA3 and P565EA4)**

<b>Item Number</b>	<b>Part Number</b>	<b>Quantity</b>	<b>Description</b>
1	100-005-0069	1	Fire barrier 84" mattress
2	100-005-0080	1	Cover, mattress 84" nylon
3	100-005-0081	1	Base, vinyl enclosed, 84"
4	100-005-0082	1	Shear-cover, 84"
5	070-001-0015	1	Foam mattress, isometric 84"
6	310-001-0519	2	Magnet (used on P565EA3 only)
7	For reference only	5	Safety pin, 1"

**Table 1-22. Basic Mattress Assemblies (P565CA3 and P565CA4)**

<b>Item Number</b>	<b>Part Number</b>	<b>Quantity</b>	<b>Description</b>
1	100-005-0069	1	Fire barrier 84" mattress (not used)
2	100-005-0080	1	Cover, mattress 84" nylon
3	100-005-0081	1	Base, vinyl enclosed, 84"
4	100-005-0082	1	Shear-cover, 84"
5	070-001-0015	1	Foam mattress, isometric 84"
6	310-001-0519	2	Magnet (used on P565CA3 only)
7	For reference only	5	Safety pin, 1"

Figure 1-14. Basic Mattress Assembly (P565)



m157\_003

**Table 1-23. Basic Mattress Assemblies (P565EA5 and P565EA6)**

<b>Item Number</b>	<b>Part Number</b>	<b>Quantity</b>	<b>Description</b>
1	100-005-0069	1	Fire barrier 84" mattress
2	100-005-0080	1	Cover, mattress 84" nylon
3	100-005-0081	1	Base, vinyl enclosed, 84"
4	100-005-0082	1	Shear-cover, 84"
5	070-001-0015	1	Foam mattress, isometric 84"
6	310-001-0519	2	Magnet (used on P565EA5 only)
7	For reference only	5	Safety pin, 1"

**Table 1-24. Basic Mattress Assemblies (P565CA5 and P565CA6)**

<b>Item Number</b>	<b>Part Number</b>	<b>Quantity</b>	<b>Description</b>
1	100-005-0069	1	Fire barrier 84" mattress (not used)
2	100-005-0080	1	Cover, mattress 84" nylon
3	100-005-0081	1	Base, vinyl enclosed, 84"
4	100-005-0082	1	Shear-cover, 84" (not used)
5	070-001-0015	1	Foam mattress, isometric 84"
6	310-001-0519	2	Magnet (used on P565CA5 only)
7	For reference only	5	Safety pin, 1"

# 1

*Basic Mattress Assembly (P565)*

*Chapter 1: Parts List*

---

**NOTES:**

---