

# OPERATING AND MAINTENANCE MANUAL

## - Tube Style Integrated Flowmeter -



Flowrate:	
200 CCM:	2C
1 LPM:	01
3.5 LPM:	03
8 LPM:	08
15 LPM:	15

*Please note: Medical Air is only available in 0-15 LPM*

Color Code:
USA: U
ISO: I

Gas:
Oxygen: O
Med Air: A

**FI - T XX Y Z - WN - S**

Line Fitting:	
DISS Male with demand check valve:	D
Ohmeda Coupler:	O
Chemtron Coupler:	C

### Outlet Compatibility:

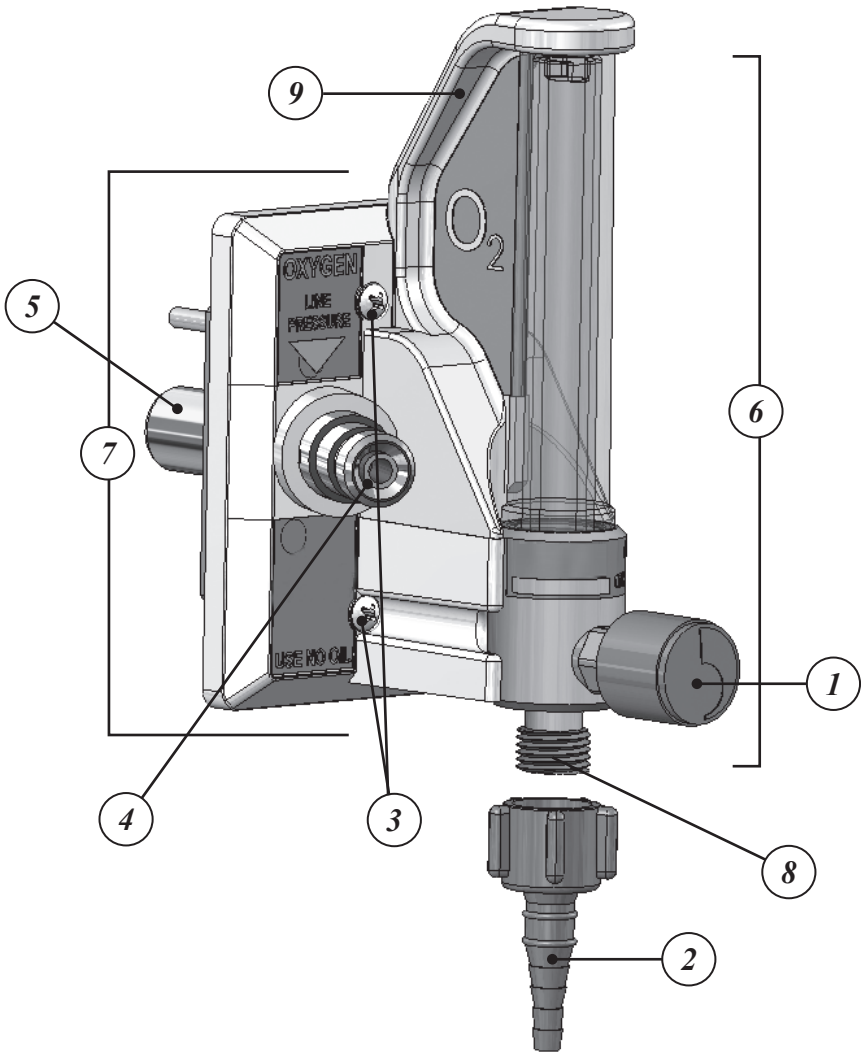
Diamond® 1:	A*
Diamond 2 & 3 / Gemini:	B
Hill-Rom® BeaconMedaes Diamond Care (Extended Barrel Version):	C**
Ohio Medical®:	
Amico:	
BeaconMedaes® Series B:	
Gentec®:	E
NCG/Chematron® Series 500, 560:	F*
NCG/Chematron Series 148, 400, 460:	G*
Tri-Tech/Ohmeda®:	T*

\* Requires a Retrofit Kit

\*\* For wall mount version only

RX ONLY

## Integrated Flowmeter Part Identification



- 1. Flowmeter Control Knob**
- 2. Tubing Nipple**
- 3. Fastening Screws**
- 4. Outlet Port**
- 5. Brass Barrel**
- 6. Flowmeter**
- 7. Main Housing**
- 8. Flowmeter Port**
- 9. Shroud**

## **IMPORTANT: SAFETY INSTRUCTIONS**

This manual provides you with important information about the Tube Style Integrated Flowmeter and should be read carefully to ensure the safe and proper use of this product.

Read and understand all the safety and operating instructions contained in this booklet before using this product.

If you do not understand these instructions, or have any questions, contact your supervisor, dealer or the manufacturer before attempting to use the apparatus.


- WARNING:** Indicates a potentially hazardous situation, which if not avoided, could result in death or serious injury.
- ATTENTION:** Indicates a potentially hazardous situation, which if not avoided, could result in minor or moderate injury.
- CAUTION:** Indicates a potentially hazardous situation, which if not avoided, could result in property damage.

### **Receiving Inspection**

Remove product from package and inspect for damage. Verify that the model received is in working order. If product is damaged or incorrect, do not use. Contact your dealer, equipment provider or manufacturer.

- ATTENTION:** It is very important to allow product to remain in original packaging for 24 hours to acclimatize to room temperature before use.
- ATTENTION:** Store the product in a sealed package to avoid environmental damage. The operating and storage temperature for the Tube Style Integrated Flowmeter should reflect typical environmental conditions of a medical facility environment.

### **User Responsibility**

 Caution, consult accompanying documents  Use no oil

**WARNING:** Service of this device should only be performed by properly trained individuals.

This product performs as explained in this manual. This holds true as long as the assembly, use, repair and maintenance are properly followed according to our instructions. Periodic review of this device is recommended. If any damage or defects are present, the product should not be used. This includes parts that may have been altered, contaminated, worn or missing. If any of the above are noted, immediate repair/replacement is required. If this device is subject to improper maintenance, repair, use and / or abuse leading to malfunction of the device, replacement is the sole responsibility of the user.

**WARNING:** Operation of this device is not to be done if flammable anesthetics are present due to the possibility of explosion caused by static charge.

#### **TO MINIMIZE THE RISK OF EXPLOSION OR FIRE:**

- Only use lubricants recommended by Ohio Medical.
- Never use grease, oil, organic lubricants or any flammable materials on or near the Integrated Flowmeter.
- Never smoke in an area where oxygen is being used.
- Never use any type of flame or flammable or explosive material near the Integrated Flowmeter.

**WARNING:** Never change the pin indexing, labeling, or any other gas specific component of the Integrated Flowmeter.

**WARNING:** The accuracy may be affected if the temperature of the gas is different than 70°F (21°C) and the supply pressure is different than that indicated on the flowmeter.

**ATTENTION:** Do not disassemble the Integrated Flowmeter while the device is under pressure.

**ATTENTION:** Keep the Integrated Flowmeter in a clean area when not being used.

**ATTENTION:** Ensure that all connections are tightened and free of leaks prior to use. Use only an oxygen-safe leak detector when testing for leaks.

## **Intended Use**

The Integrated Flowmeter has two ports, the Outlet port and the Flowmeter port. The Outlet port is intended to be used as a standard wall Outlet, delivering a high flow of gas to secondary equipment.

The Flowmeter port is intended to deliver a fixed flow of gas to patient or equipment. The flow of gas is selectable via the flow control knob.

**WARNING:** DO NOT change, alter or modify intended use of the product.

## **Installation Instructions**

1. Remove Integrated Flowmeter from packaging.
2. Remove all plugs from port fittings and brass barrel.
3. Make sure the zone valve for the outlet receptacle is closed and line depressurized.
4. Insert brass barrel of the Integrated Flowmeter into the rough-in.
5. Secure the Integrated Flowmeter into place by screwing in both fastening screws located on the main housing.

## **Flowmeter Operating Instructions**

1. Inspect the Integrated Flowmeter for damage; if any is found do not use the unit.
2. See page 2 for flowmeter location.
3. Turn the Flow Control Knob counter clockwise to increase flow or clockwise to decrease flow, Flow rates are indicated in LPM (liters per minute) or CCM (cubic centimeters per minute).
4. To set the flow, align the center of the float ball to the indicator line on the flow tube.
5. The Flowmeter is in the “Off” position when the Flow Control Knob is turned fully clockwise (until it will not turn anymore).

**CAUTION:** Over tightening the knob when turning the Flowmeter off will cause damage.

**ATTENTION:** The Flowmeter must be used with the Flow Tube in an upright position.

**NOTE:** Ensure that the Float Ball is at the very bottom of the Flow Tube when turned off.

**NOTE:** When the unit is turned off, if the float ball is not at the bottom of the tube, the flowmeter may be leaking. Please contact your dealer or Ohio Medical.

6. The Flowmeter Port can be fitted with accessories with a mating DISS connection such as a tubing nipple or humidifier.

**NOTE:** The accuracy of the flow will not be affected by the attachment of accessories, however, the indicated flow may change (If this occurs, readjust the flowrate to the prescribed setting.)

**NOTE:** The flow rate may be affected by a change in downstream resistance of the Flowmeter Port.

**WARNING:** To avoid injury always confirm flow requirement for patient prior to dispensing. Check flow frequently while being administered to patient.

7. Turn knob completely counter clockwise to achieve Max. Flood/Flush flowrate.

8. When the Flowmeter is not in use turn the flow control knob fully clockwise (until it will not turn anymore).

## Flowmeter Port Specifications

Gas	Scale	Increments	Accuracy	Flood/ Flush	Transport / Storage Requirements
O <sub>2</sub>	0 -200 CCM	25 CCM (starts at 25 CCM)	+/- 20 CCM	Max. 500 CCM	-40°F to 140°F (-40°C to 60°C)
O <sub>2</sub>	0 - 1 LPM	0.1 LPM (starts at 0.1 LPM)	+/- 0.1 LPM	Max. 2.5 LPM	-40°F to 140°F (-40°C to 60°C)
O <sub>2</sub>	0 -3.5 LPM	0.125 LPM from 0.125 -1 LPM 0.25 LPM from 1 - 3.5 LPM	+/- 0.125 LPM or +/- 10% of reading (whichever is greater)	Max. 45 LPM	-40°F to 140°F (-40°C to 60°C)
O <sub>2</sub>	0 - 8 LPM	0.5 LPM (starts at 0.5 LPM)	+/- 0.5 LPM or +/- 10% of reading (whichever is greater)	Min. 50 LPM	-40°F to 140°F (-40°C to 60°C)
O <sub>2</sub> /Air	0 -15 LPM	0.5 LPM from 1 - 5 LPM 1 LPM from 5 - 15 LPM	+/- 0.5 LPM or +/- 10% of reading (whichever is greater)	Min. 50 LPM	-40°F to 140°F (-40°C to 60°C)

## Cleaning Instructions

Wipe outside of product with a clean dampened cloth with a mild cleaning solution. DO NOT gas sterilize with ETO. DO NOT clean with pungent hydrocarbons, these may cause damage to the materials.

**CAUTION:** DO NOT submerge Integrated Flowmeter in any form of liquid. This will cause damage and void product warranty.

## Troubleshooting

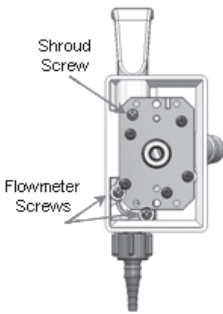
Contact your dealer or the technical support department at Ohio Medical for assistance if the Integrated Flowmeter malfunctions.

# Maintenance Prevention

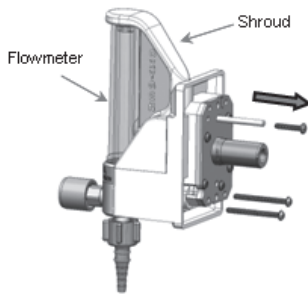
Inspect the product before and after use for any damage and ease of operation.

## Flowmeter Replacement Instructions

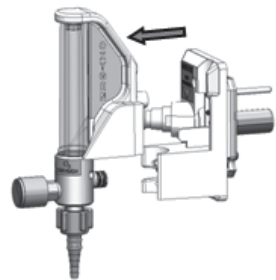
1. Remove fastening screws to remove the Integrated Flowmeter from the rough-in
2. Using a Phillips Screwdriver remove Shroud Screw and the Flowmeter Screws (see Figure 2) (see Figure 1 for Screw locations)
3. Pull the Shroud and Flowmeter to remove it from the Main Body (see Figure 3)
4. To install the replacement Flowmeter, position the Flowmeter into the Shroud (see Figure 4)
5. Slide the Shroud and Flowmeter unit onto the Main Body (see Figure 5)
6. Using a Phillips Screwdriver, reinstall the Shroud and Flowmeter Screws (see Figure 6)
7. Reinstall the Integrated Flowmeter Assembly into the rough-in.
8. Tighten fastening screws.



**Figure 1**



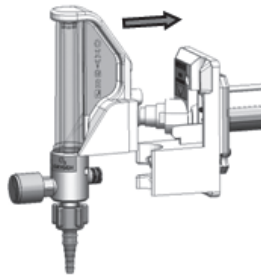
**Figure 2**



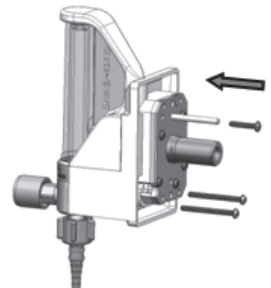
**Figure 3**



**Figure 4**



**Figure 5**



**Figure 6**

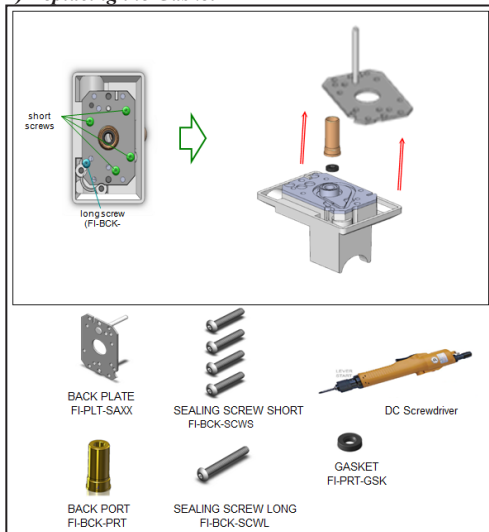
# Replacement Kits

Replacement Flowmeters		
	USA	ISO
0-15 LPM OXY	FM-15UO-FT	FM-15IO-FT
0-8 LPM OXY	FM-08UO-FT	FM-08IO-FT
0-3.5 LPM OXY	FM-03UO-FT	FM-03IO-FT
0-1 LPM OXY	FM-01UO-FT	FM-01IO-FT
0-200 CCM OXY	FM-200UO-FT	FM-200IO-FT
0-15 LPM MedAir	FM-15UA-FT	FM-15IA-FT

Tubing Nipple	
Green	FM-SWIVEL-G
Yellow	FM-SWIVEL-Y
White	FM-SWIVEL-W
Black	FM-SWIVEL-B

Integrated Flowmeter Parts	
1) Gasket	FI-PRT-GSK
2) O-Ring Viton 60	FI-BCK-ORN

## 1) Replacing the Gasket



## 2) Replacing the O-Ring



Tests applicable to manufactured assemblies under NFPA 99 (2012 edition) section 5.1.6 must be performed after servicing.

Testing includes:

1. Initial blowdown test per 5.1.12.2.2 of NFPA 99 (2012 edition)
2. Initial pressure test per 5.1.12.2.3 of NFPA 99 (2012 edition)
3. Piping purge test per 5.1.12.2.5 of NFPA 99 (2012 edition)
4. Standing pressure test per 5.1.12.2.6 or 5.1.12.2.7 except as permitted under 5.1.6.2 of NFPA 99 (2012 edition)

## WARRANTY

The Ohio Medical Tube Style Integrated Flowmeter here know as “Product” is sold by Ohio Medical, a Delaware corporation (the “Company”) under the express terms of the warranty set forth below.

For a period of SIXTY (60) MONTHS from the date the Company ships, this Product is warranted to be free from functional defects in materials and workmanship and to conform in all material respects to the description for the Product contained in this operation manual, if this Product is properly operated under conditions of normal use, regular periodic maintenance and service is performed and repairs are made in accordance with this operation manual. The exception to this includes the 0-200 CCM and 0-1 LPM Flowmeter models. Ohio Medical will warranty the Main Housing of the 0-200 CCM and the 0-1 LPM for SIXTY (60) MONTHS and the flowmeter for TWELVE (12) MONTHS.

The Company’s sole and exclusive obligation and customer’s sole and exclusive remedy under the above warranty is limited to repair or replacement, at the Company’s option, of the defective Product.

The foregoing warranty shall not apply if the Product has been repaired or altered by anyone other than the Company or an authorized dealer; or if the Product has been subjected to abuse, misuse, negligence, or accident.

The Company reserves the right to stop manufacturing any product or change materials, designs, or specifications without notice.

This warranty is extended to only the initial customer with respect to the purchase of this Product directly from the Company or an authorized dealer as new merchandise. Dealers are not authorized to alter or amend the warranty of any Product described in this agreement. Any statements, whether written or oral, will not be honored or be made part of the agreement of sale.

THIS WARRANTY IS EXPRESSLY IN LIEU OF ANY OTHER WARRANTIES, EXPRESS OR IMPLIED, INCLUDING ANY WARRANTY OF MERCHANTABILITY OR FITNESS FOR A PARTICULAR PURPOSE. THE COMPANY SHALL NOT BE LIABLE FOR INCIDENTAL, COLLATERAL, CONSEQUENTIAL, OR SPECIAL DAMAGES INCLUDING, BUT NOT LIMITED TO, LOST PROFITS, OR LOSS OF USE. THE COMPANY’S LIABILITY, IN THE AGGREGATE, SHALL NOT EXCEED THE PURCHASE PRICE OF THE PRODUCT.

In order to file a warranty claim, customer is required to return Product prepaid to the Company at 1111 Lakeside Drive, Gurnee IL, 60031 USA. As determined at the sole discretion of the Company, Products which qualify under the warranty will be repaired or replaced, at the Company’s option, and returned to customer via ground delivery at the Company’s expense.

All claims for warranty must first be approved by Ohio Medical Customer Service Department. For US Domestic customer returns: [customer.service@ohiomedical.com](mailto:customer.service@ohiomedical.com) or 1-800-662-5822 (Option 3). Upon approval the customer service department will issue a Return Materials Authorization (RMA) number. An RMA must be obtained prior to commencement of any warranty claim.



© 2018 Ohio Medical, LLC. This document contains information that is proprietary and confidential to Ohio Medical, LLC. Use of this information is under license from Ohio Medical, LLC. Any use other than that authorized by Ohio Medical, LLC is prohibited. Ohio Medical, LLC and the Ohio Medical logo are registered trademarks of Ohio Medical, LLC. Chemetron, Med Star and Oxequip are registered trademarks of Allied Healthcare Products, Inc. Ohmeda is a registered trademark of GE Healthcare Finland Oy Corporation. Puritan Bennett is a registered trademark of Mallinckrodt Inc. Schrader is a registered trademark of Schrader-Bridgeport International, Inc. Hill-Rom is a registered trademark of Hill-Rom Services Inc.