

# ***037/039***

***DENTAL CHAIR***

INSTALLATION  
and  
OPERATION  
INSTRUCTIONS

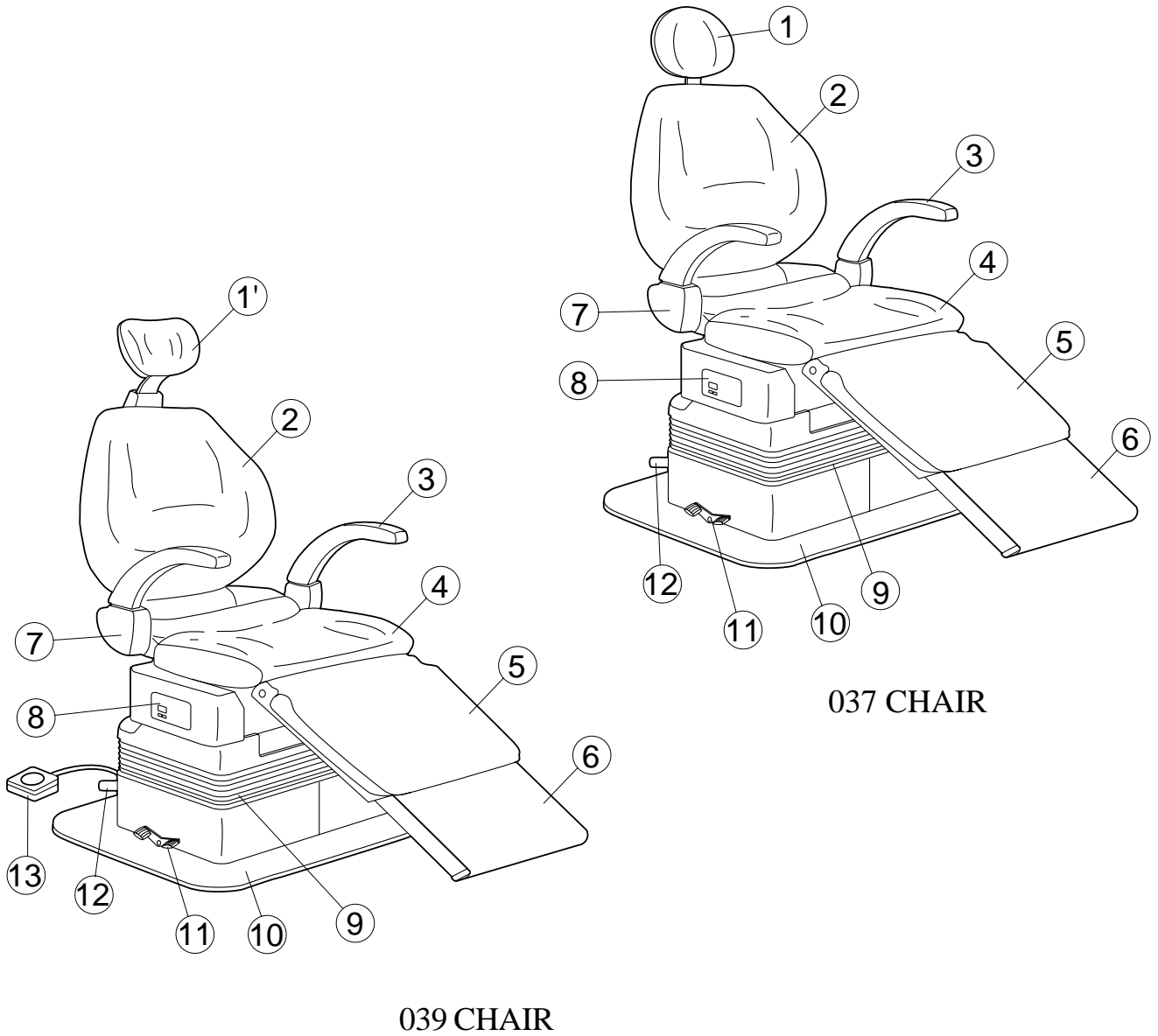
 **Belmont**

**3.E**

## TABLE OF CONTENTS

	Page
Overall View and Major Components .....	1
Dimensions and Specifications .....	2
Dimensions and Specifications (Europe Type) .....	2A
Installation Procedures .....	3
Operation Procedures .....	4
Adjustment of Auto Positioning .....	6B
Care and Maintenance .....	6B

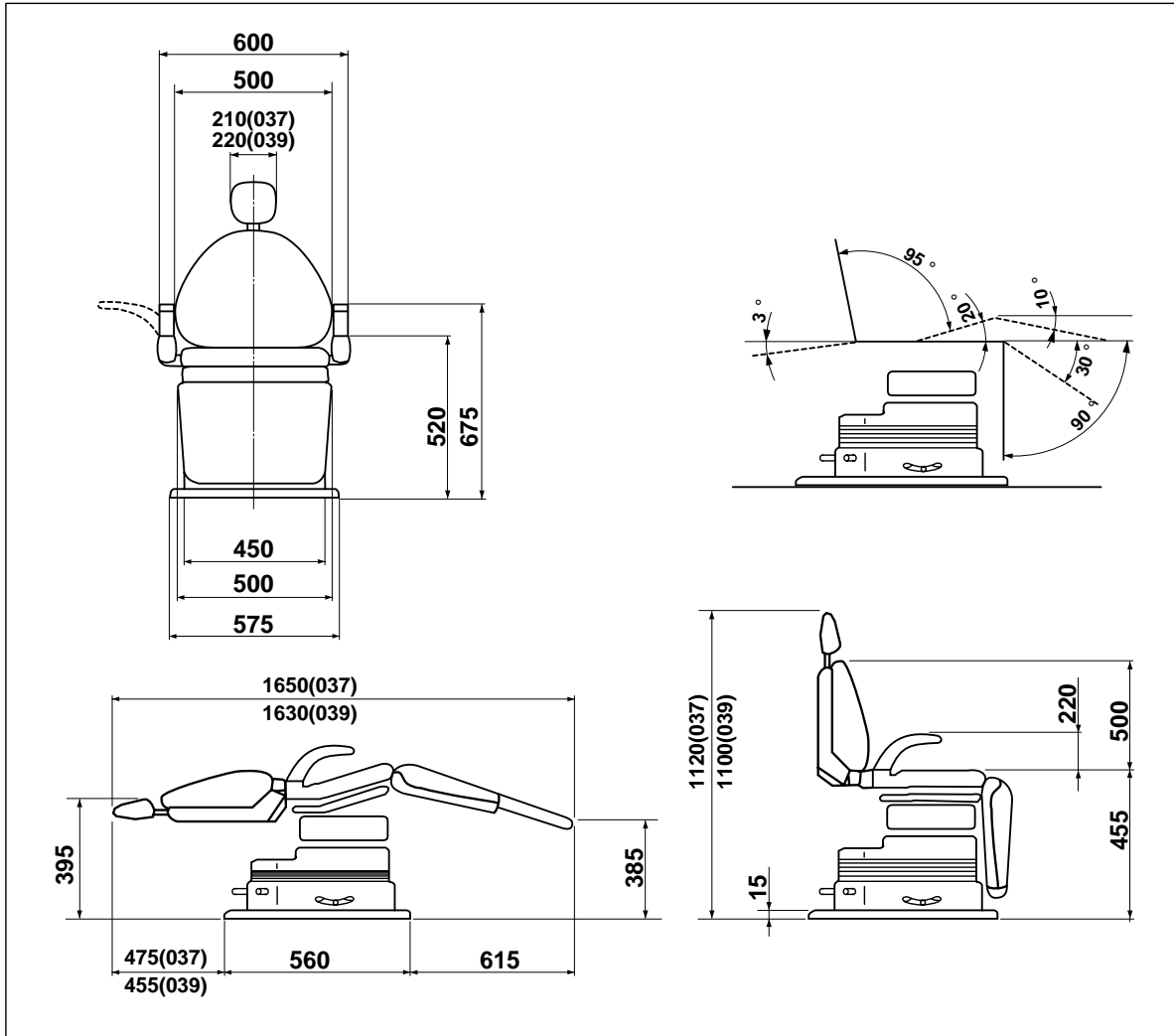
# 1. 037/039 OVERALL VIEW AND MAJOR COMPONENTS



- |                           |                             |
|---------------------------|-----------------------------|
| (1) ARTICULATING HEADREST | (7) ARMREST BLOCK           |
| (1') POWER HEADREST       | (8) CHAIR PRESET PANEL      |
| (2) BACKREST              | (9) BELLOWS                 |
| (3) ARMREST               | (10) BASE PLATE             |
| (4) SEAT                  | (11) ROTATION LOCK PEDAL    |
| (5) LEGREST               | (12) FOOT SWITCH (CHAIR)    |
| (6) RETRACTABLE FOOTREST  | (13) FOOT SWITCH (HEADREST) |

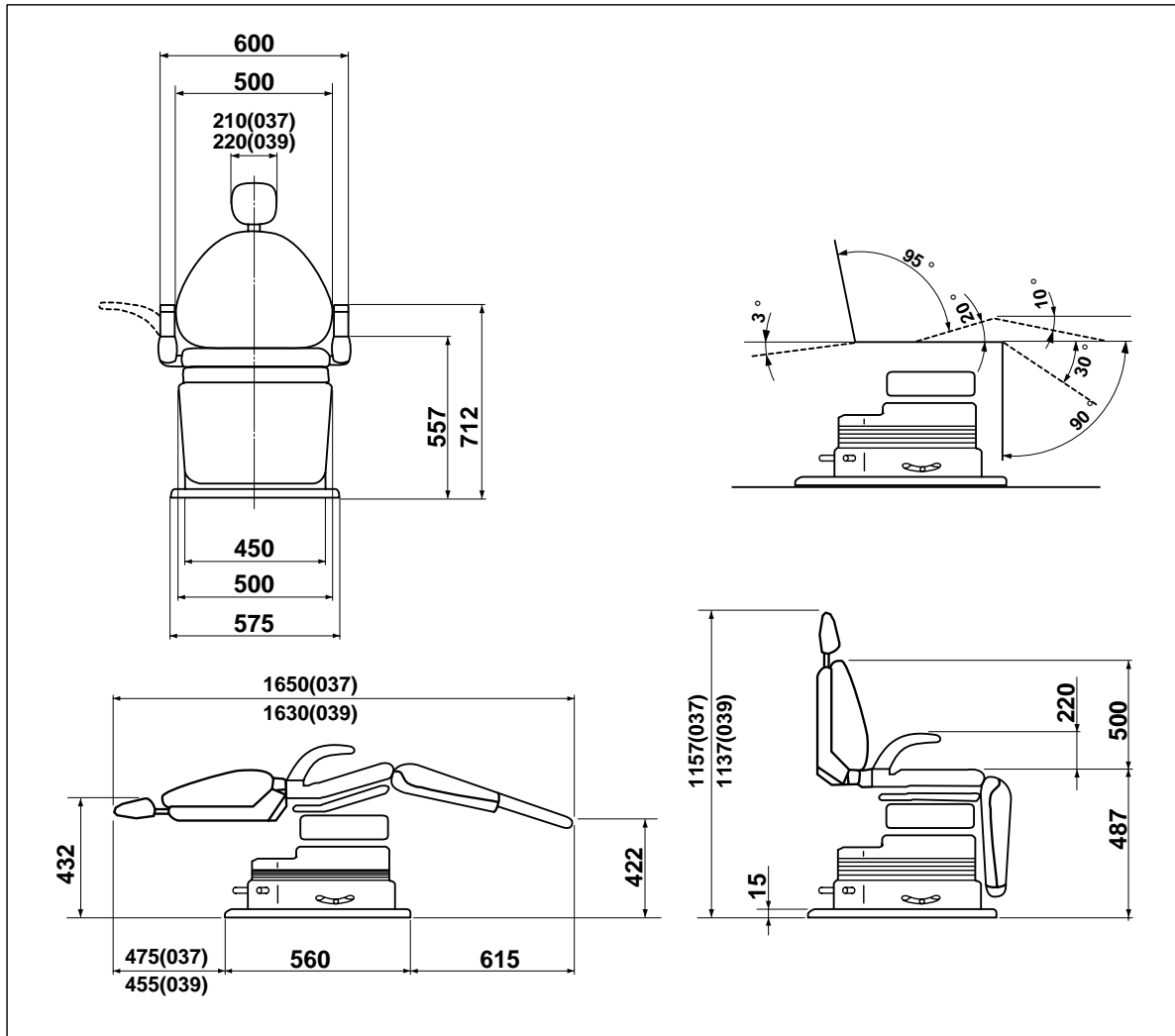
**Fig. 1-1 OVERALL VIEW**

## 2. DIMENSIONS AND SPECIFICATIONS



CHAIR WEIGHT	150 kg (037)
	154 kg (039)
INITIAL HEIGHT	455 mm
SEAT ELEVATION STROKE	260 mm
HEADREST EXTENSION	120 mm (039)
LEGREST EXTENSION	230 mm
BASE DIMENSION	555 mm x 570 mm x 15 mm
HYDRAULIC FLUID	900 cc
	(10W NON-DETERGENT HYDRAULIC OIL)
TYPE OF MOTOR PUMP	5 LP
POWER CONSUMPTION	600/500W at 50/60Hz
RANGE OF HEADREST ANGLE	64 dig. (037)
	38 dig. (039)

## DIMENSIONS AND SPECIFICATIONS (EUROPE TYPE)



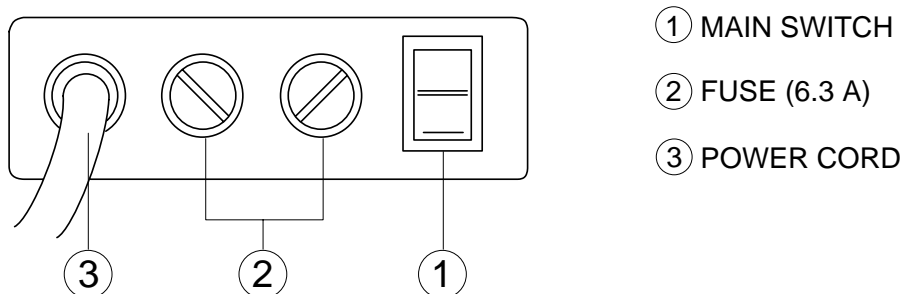
CHAIR WEIGHT	150 kg (037)
	154 kg (039)
INITIAL HEIGHT	487 mm
SEAT ELEVATION STROKE	300 mm
HEADREST EXTENSION	120 mm (039)
LEGREST EXTENSION	230 mm
BASE DIMENSION	555 mm x 570 mm x 15 mm
HYDRAULIC FLUID	900 cc
	(10W NON-DETERGENT HYDRAULIC OIL)
TYPE OF MOTOR PUMP	5 LP
POWER CONSUMPTION	600/500W at 50/60Hz
RANGE OF HEADREST ANGLE	64 dig. (037)
	38 dig. (039)

039 : After Ser. No. DDA080219

037 : From 1997 October Production

### 3. INSTALLATION PROCEDURES

- 1) Place chair crate just behind the planned location for the chair.
- 2) Open the crate and remove all packing materials.  
(Do not use sharp instrument that can damage upholstery.)  
Slide the chair off palette into the place.  
**DO NOT LIFT THE CHAIR BY ARMRESTS OR BACKREST.**
- 3) Once the chair is located, but **BEFORE PLUGGING INTO POWER**, do the followings ;
  - (1) Remove red bolt with a caution tag located on chair seat-plate.
  - (2) Grasping red tag on bellows, pull out rubber plug of oil reservoir.
  - (3) Save above red bolt and rubber plug in case the chair is ever reshipped in the future.
- 4) Remove 3 nuts and washers under the seat.  
Attach the seat on seat-plate and fix it by screwing the nuts and washers from underneath the seat-plate.
- 5) Attach bellows to bellows support.
  - (1) Loosen and remove 4 Phillips screws on bellows support-rear, then remove the bellows support-rear from the chair.
  - (2) Hang the top plate of bellows on the edge of bellows support-front, and hang the top-rear plate of bellows on the edge of bellows support-rear.
  - (3) Reattach bellows support-rear with hanging bellows on to the chair by screwing 4 Phillips screws.
- 6) Unpack the small carton containing accessories. Check following items in it.  
Headrest Assembly (037) ..... 1 pce.  
Foot Switch (039) ..... 1 pce.  
Flat Head Wood Screw (Pie.4.8 - 40) ..... 4 pcs.  
Anchor Plug (7 x 30) ..... 4 pcs.  
For an 037 chair, slide headrest into slide mount on top of backrest.
- 7) Plug the chair into an appropriate electric power source.
- 8) Turn on the Main Switch located on left side of Pump Cover. (See Fig. 2-1.)



**Fig. 2-1 Main Switch Panel**

### AFTER INSTALLATION

Once the chair is installed according to above steps, check the all chair functions following the operation procedures in this booklet.

## **4. OPERATION PROCEDURES**

The Belmont 037/039 chair was designed for maximum simplicity of operation. However, taking a few moments to familiarise yourself with the operation of the chair will make its operation comfortable and simple for you and your patients.

Basic Control Function:

Chair manual control functions are duplicated on both sides of the pump cover. Chair auto control functions are equipped on rear side of the pump cover. A separate foot control is used with the power headrest (039).

### **1) Chair Manual Controls (See Fig. 3-1.)**

#### **(1) Seat Height Control**

To raise : Move either side mounted foot switch up.

To lower : Move either side mounted foot switch down.

#### **(2) Backrest Control**

To raise : Move either side mounted switch right.

To reclining : Move either side mounted switch left.

### **2) Chair Auto-mode Controls (See Fig. 3-1.)**

#### **(1) Preset Mode Controls**

037/039 chair has two preset positions and last position memory. To place the chair in each position with footrest extension. Momentarily move the foot switch located on rear side of the pump cover.

Preset 1 : Move rear mounted switch left.

Preset 2 : Move rear mounted switch right.

LP : Move rear mounted switch up.

#### **(2) Auto-return Control**

To return the chair to the patient entry position (fully lowered with the footrest retracted), momentarily move rear mounted foot switch down.

### **3) Power Headrest Controls (039) (See Fig. 3-1.)**

(1) To extend : Press down upper area of foot control disc.

To retract : Press down lower area of foot control disc.

(2) To move back : Press down right side of foot control disc.

To move forward : Press down left side of foot control disc.

### **4) Articulating twin axis prosthetic headrest adjustments (037) (See Fig. 3-2.)**

Articulating twin axis prosthetic headrest adjusts to match patient's anatomy, locks securely in any desired position.

To extend : Simply pull up to desired position.

To retract : Depress to desired position.

### **5) Safety Stop**

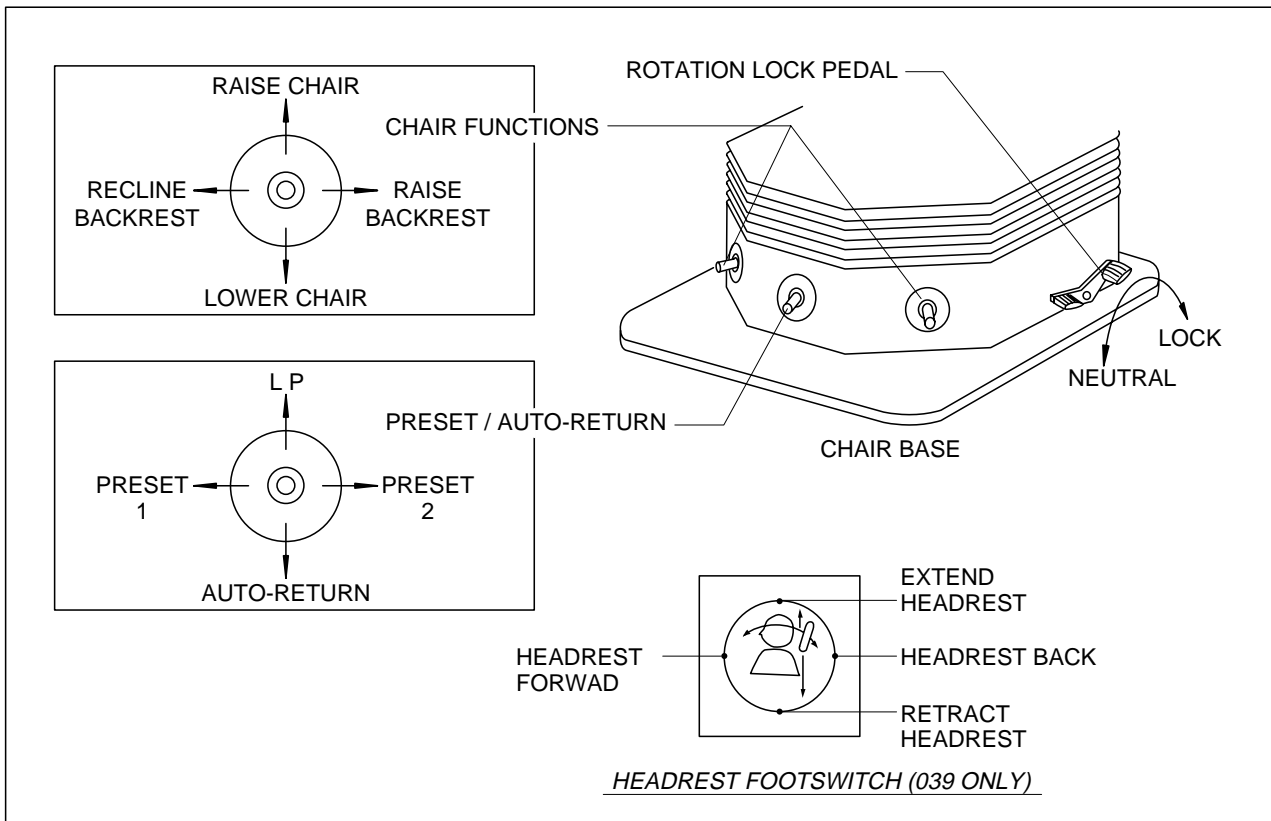
Automatic travel in all automatic mode can be instantly cancelled at any time by momentarily pressing any control switch.

### **6) Armrest Rotation (See Fig. 3-3.)**

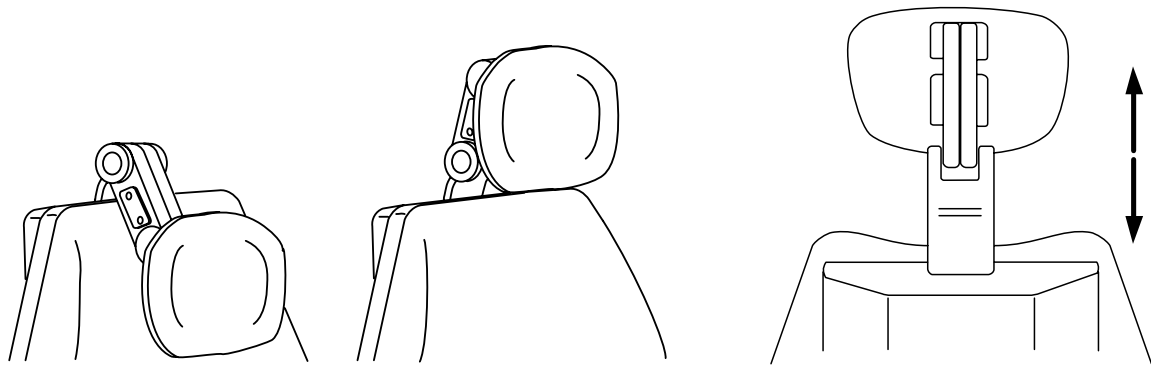
Either armrest can be rotated outward by pulling.

### **7) Chair Rotation (See Fig. 3-1.)**

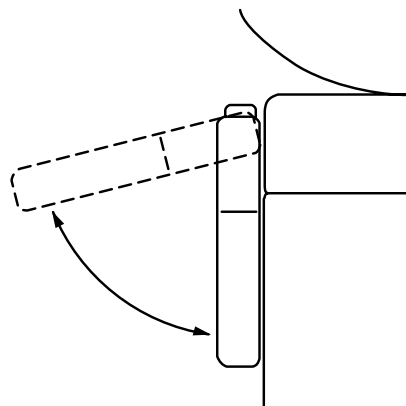
Release rotation lock by pressing "N" footpad and lock chair in desired position by pressing "L" footpad.



**Fig. 3-1 Control Switch Location & Function**



**Fig. 3-2 Headrest Adjustment**



**Fig. 3-3 Armrest Rotation**



## 8) Preset Position Adjustment (Fig.4-1)

Two Preset positions can be programmed.

Procedure 1.

1. Set seat and backrest in the desired position by manual control switches.
2. Keep depressing **STORE** button on chair preset panel until buzzer sounds Pi-,Pi-,Pi-.
3. While buzzer is sounding, press **(1)** button on doctor table or assistant side control panel so that the position is memorized to PRESET 1, then the buzzer sound ceases.

4. PRESET 2 is memorized by pressing **(2)** button as following 1 to 3.

Procedure 2.

1. Set seat and backrest in the desired position by manual control switches.
2. Keep depressing **(1)** button on doctor table or assistant side control panel until buzzer sounds so that the position is memorized to PRESET 1, then the buzzer sound ceases.
3. PRESET 2 is memorized by pressing **(2)** button as following 1 to 2.

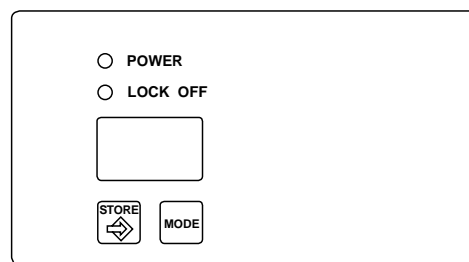


Fig.4-1 Chair Preset Panel

## 9) Mouth Rinsing Backrest Position Adjustment (Fig.4-1)

The desired mouth rinsing backrest position can be programmed as last position memory operation.

Procedure 1.

1. Set backrest in the desired position for mouth rinsing by manual control switch.
2. Keep depressing **STORE** button on chair preset panel until buzzer sounds Pi-,Pi-,Pi-.
3. While buzzer is sounding, press **(LP)** button on doctor table or assistant side control panel so that the position is memorized to mouth rinsing position then the buzzer sound ceases.

Procedure 2.

1. Set backrest in the desired position by manual control switches.
2. Keep depressing **(LP)** button on doctor table or assistant side control panel until buzzer sounds so that the position is memorized to mouth rinsing position, then the buzzer sound ceases.

**Note ;** When chair electric power is ON, the **POWER** L.E.D. illuminates in green.

When chair safety lock system is not working, the **LOCK OFF** L.E.D. illuminates in green.

When the **LOCK OFF** L.E.D. is OFF, chair can not be operated at all.

## 5. CARE AND MAINTENANCE

Other than cleaning, no scheduled maintenance of the chair is required.

Painted metal parts and vinyl upholstery should be cleaned with a mild detergent followed by disinfecting with alcohol.

The area around control switches can be cleaned with the same agent, however be sure to use only a moistened cloth to avoid getting contaminants into switch mechanism. NOTE: For safety reasons, the switch on this chair operate at low voltage.

Memo



TAKARA BELMONT CORPORATION

1-1, Higashi-shinsaibashi 2-Chome, Chuo-ku, Osaka 542-0083, Japan  
TEL. : 0081(6) 6213-5945 TELEFAX : 0081(6) 6212-3680

Printed in Japan 3.E 0506.MA